

V39, K8.0

Model V3904

Extended Coverage/Light Hazard (ECLH)
Adjustable Concealed Pendent
Quick Response

PRODUCT DESCRIPTION



V3904

Adjustable Concealed Pendent with Dome Cover Plate



The Model V39 ECLH concealed sprinkler is designed with a K8.0 orifice size to provide added coverage at normal light hazard operating pressures. The design incorporates state-of-the-art, heat responsive, frangible glass bulb design for prompt, precise operation.

The die cast frame is more streamlined and attractive than traditional sand cast frames. This sprinkler is available in various temperature ratings (see chart on page 2) and finishes to

meet many design requirements.

The V39 sprinkler comes standard with the aesthetically pleasing dome cover plate, which is available in various finishes to meet many design requirements.

Sprinkler Operation

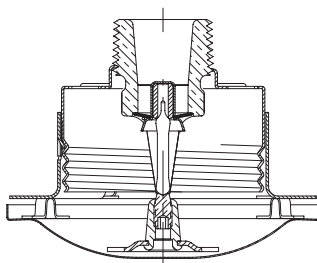
The operating mechanism is a frangible glass bulb which contains a heat responsive liquid. During a fire, the ambient temperature rises causing the liquid in the bulb to expand.

When the ambient temperature reaches the rated temperature of the sprinkler, the bulb shatters. As a result, the waterway is cleared of all sealing parts and water is discharged towards the deflector. The deflector is designed to distribute the water in a pattern that is most effective in controlling the fire.

Coverage

Extended spray coverage is up to 400 square feet (37,2 sq. m) per NFPA 13.

TECHNICAL SPECIFICATIONS



Exaggerated for Clarity

Models: V3904

Style: ECLH – Adjustable Concealed Pendent

Nominal Orifice Size:
17/32" (14 mm)

K-Factor: 8.0 Imp. (11,5 S.I.^)

Nominal Thread Size:
3/4" NPT (20 mm)

Max. Working Pressure:
175 psi (1200 kPa)

Factory Leak Test: 100% @
500 psi (3450 kPa)

Min. Operating Pressure:
7 psi (48 kPa)

Temperature Rating: See chart on page 2.

MATERIAL SPECIFICATIONS

Pendent Deflector:
Bronze per UNS C22000

Bulb: Glass with glycerin solution.

Bulb Nominal Diameter:
 Quick Response: 3,0 mm

Load Screw: Brass per UNS C36000

Pip Cap: Copper

Spring: Beryllium nickel

Seal: Teflon* tape

Frame: Die cast brass 65-30

Bulb Seat: Brass

ACCESSORIES

Installation Wrench:

V39 Recessed Wrench

Sprinkler Finishes:

- Chrome plated
- White painted
- Custom painted

^ For K-Factor when pressure is measured in Bar, multiply S.I. units by 10.0.

*Teflon is a registered trademark of Dupont Co.

VICTAULIC® IS AN ISO 9001 CERTIFIED COMPANY

Victaulic Company of America
Phone: 1-800-PICK-VIC (1-800-742-5842)
Fax: 610-250-8817
e-mail: pickvic@victaulic.com

Victaulic Company of Canada
Phone: 905-884-7444
Fax: 905-884-9774
e-mail: viccanada@victaulic.com

Victaulic Europe
Phone: 32-9-381-1500
Fax: 32-9-380-4438
e-mail: viceuro@victaulic.be

Victaulic America Latina
Phone: 610-559-3300
Fax: 610-559-3608
e-mail: vical@victaulic.com

Victaulic Asia Pacific
Phone: 65-6235-3035
Fax: 65-6235-0535
e-mail: vicap@victaulic.com

APPROVALS/LISTINGS

Model	Orifice Size Inches/mm	Nominal K-Factor Imperial S.I. [^]	Response	Deflector Type	Approved Temperature Ratings		
					Room Size – Feet/meters		
					16 X 16 4,9 X 4,9	18 X 18 5,5 X 5,5	20 X 20 6,1 X 6,1
V3904	17/32 14	8,0 11,5	Quick	Concealed Pendent	1, 2 – A	1, 2 – A	1, 2 – B

† Listings and approval as of printing. Not all temperature rating combinations are Listed. Check Victaulic for specific combinations.

[^] For K-Factor when pressure is measured in Bar, multiply S.I. units by 10.0.

NOTES	
Approval	Temperature Rating
1 – UL	A – 135°F, 155°F, 175°F, 200°F 57°C, 68°C, 79°C, 93°C
2 – ULC	B – 135°F 57°C

RATINGS

All glass bulbs are rated for temperatures from -67°F (-55°C) to those shown in table below.

Sprinkler Temperature Classification	Victaulic Part Identification	Temperature – °F/°C		Glass Bulb Color	Cover Temperature	
		Nominal Temperature Rating	Maximum Ambient Temp. Allowed		Nominal Temperature Rating	Maximum Ambient Temp. Allowed
Ordinary	A	135 57	100 38	Orange	135 57	100 38
Ordinary	C	155 68	100 38	Red	135 57	100 38
Intermediate	E	175 79	150 65	Yellow	165 74	150 65
Intermediate	F	200 93	150 65	Green	165 74	150 65

ORDERING INFORMATION

Please specify the following when ordering:

- | | | |
|---|--------------------------------------|--|
| <input type="checkbox"/> Sprinkler Model Number | <input type="checkbox"/> K-Factor | <input type="checkbox"/> Sprinkler Finish |
| <input type="checkbox"/> Style | <input type="checkbox"/> Thread Size | <input type="checkbox"/> Wrench Model Number |
| <input type="checkbox"/> Temperature Rating | <input type="checkbox"/> Quantity | |

WARNING

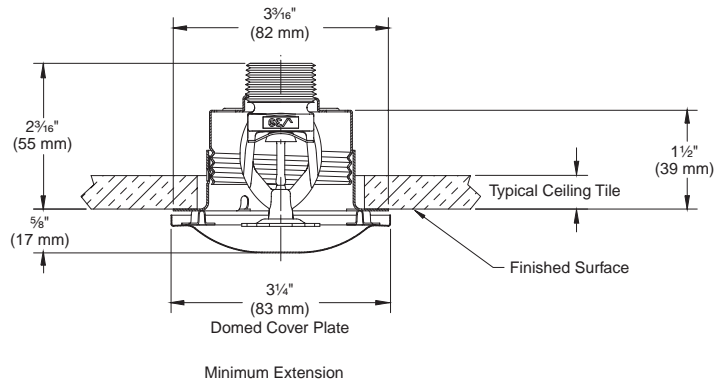
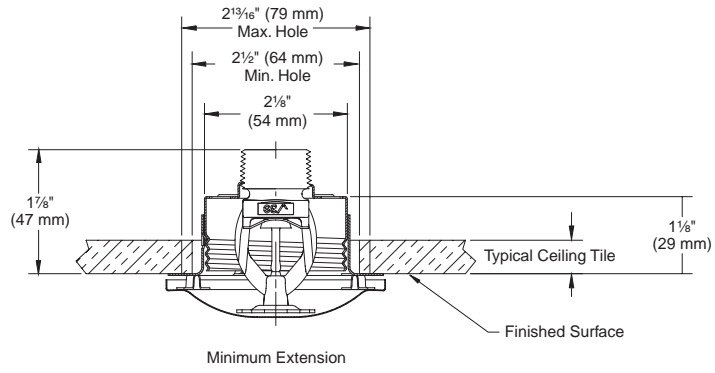


- Always read and understand installation, care, and maintenance instructions, supplied with each box of sprinklers, before proceeding with installation of any sprinklers.
 - Always wear safety glasses and foot protection.
 - Depressurize and drain the piping system before attempting to install, remove, or adjust any Victaulic piping products.
 - Installation rules, especially those governing obstruction, must be strictly followed.
 - Painting, plating, or any re-coating of sprinklers (other than that supplied by Victaulic) is not allowed.
- Failure to follow these instructions could result in serious personal injury and/or property damage.

The owner is responsible for maintaining the fire protection system and devices in proper operating condition. For minimum maintenance and inspection requirements, refer to the current National Fire Protection Association pamphlet that describes care and maintenance of sprinkler systems. In addition, the authority having jurisdiction may have additional maintenance, testing, and inspection requirements that must be followed.

If you need additional copies of this publication, or if you have any questions about the safe installation of this product, contact Victaulic World Headquarters, P.O. Box 31, Easton, Pennsylvania 18044-0031, 610-559-3300.

DIMENSIONS

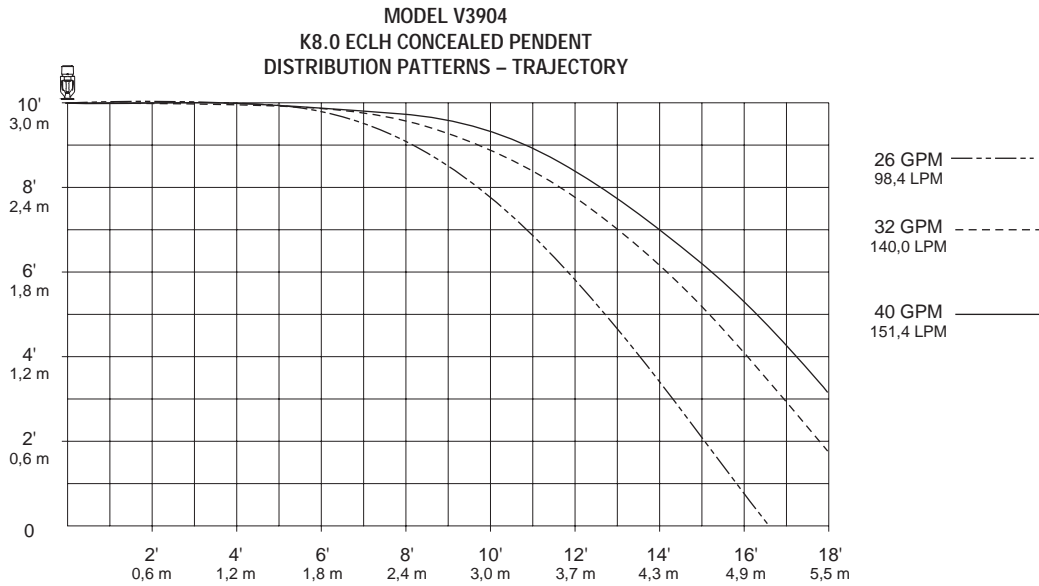


ROOM SIZE

SPRINKLER PERFORMANCE FLOW (MINIMUM) V3904	
Room Size Feet/m	Flow Rate GPM/LPM
	UL
16 X 16 4,9 X 4,9	26 98
18 X 18 5,5 X 5,5	32 121
20 X 20 6,1 X 6,1	40 150

Minimum sprinkler spacing 8' (2,4 m).

DISTRIBUTION PATTERNS



NOTES:

1. Data shown is approximate and can vary due to differences in installation.
2. These graphs illustrate approximate trajectories, floor-wetting, and wall-wetting patterns for these specific Victaulic FireLock Automatic Sprinklers. They are provided as information for guidance in avoiding obstructions to sprinklers and should not be used as minimum sprinkler spacing rules for installation. Refer to the appropriate NFPA National Fire Code or the Authority Having Jurisdiction for specific information regarding obstructions, spacing limitations and area of coverage requirements. Failure to follow these guidelines could adversely affect the performance of the sprinkler and will void all Listings, Approvals and Warranties.
3. All patterns are symmetrical to the centerline of the waterway.

WARRANTY

Refer to the Warranty section of the current Price List or contact Victaulic for details.

This product shall be manufactured by Victaulic Company. All products to be installed in accordance with current Victaulic installation/assembly instructions. Victaulic reserves the right to change product specifications, designs and standard equipment without notice and without incurring obligations.