

Reliable®

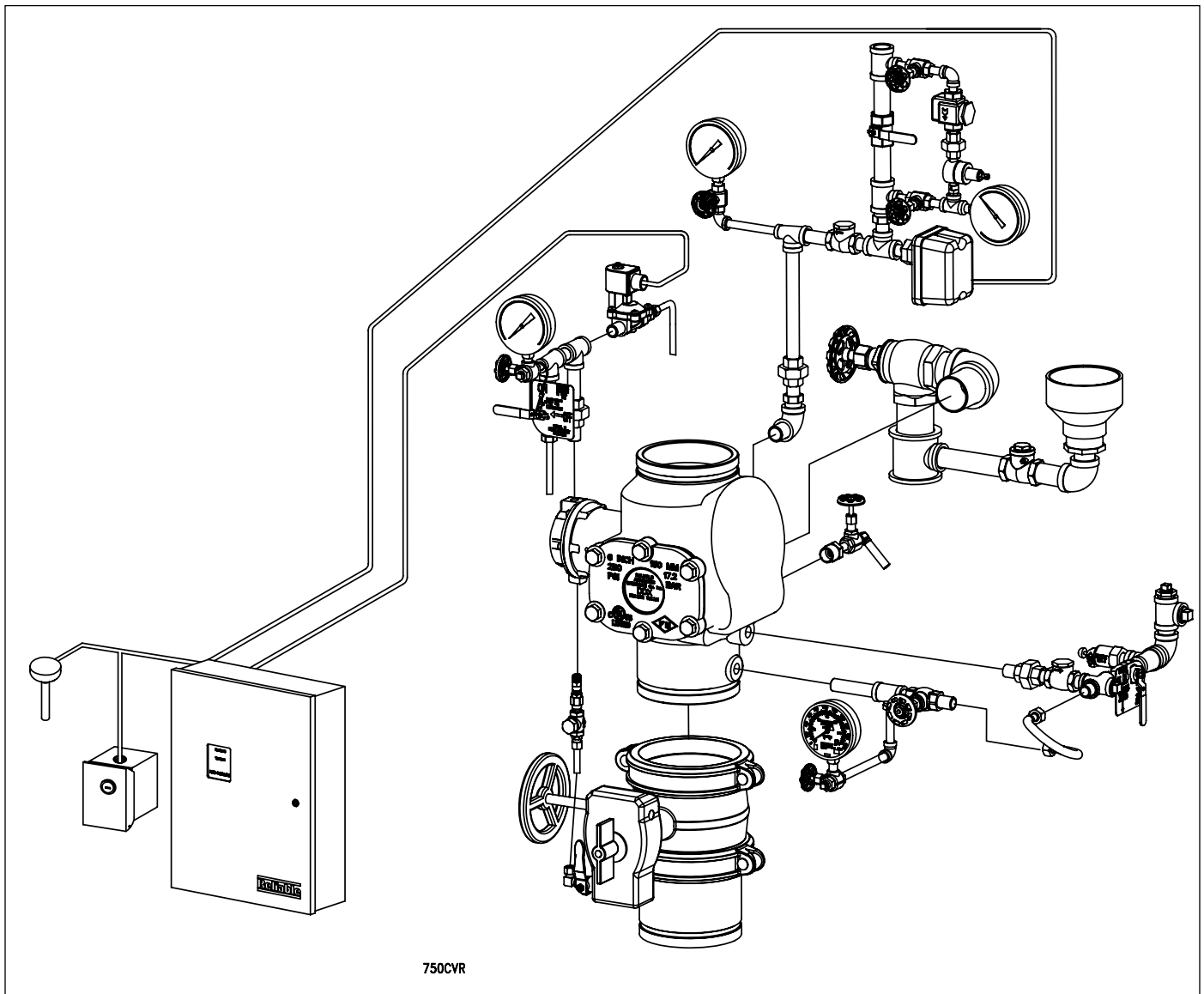
**Model DDX Double Interlock
Preaction System – Type D**
2" (50 mm), 2½" (65 mm), 3" (80 mm),
76 mm, 4" (100 mm), 6" (150 mm),
165 mm & 8" (200 mm)

Instructions for Installation, Operation, Care, and Maintenance

7 to 10 psi (0,5 to 0,7 bar) Pneumatic Supervising
Pressure with Electric/Pneumatic Actuation Controlled
by a Cross-Zoned Releasing Control Panel

Type D

- Available with 175 psi (12,1 bar) or 300 psi (20,7 bar) Rated Solenoid Valve
- Externally Resettable Clapper
- One Main Drain



General

Type D Double Interlock Preaction Systems are designed for water sensitive areas that require protection from inadvertent water flow into the sprinkler system piping, but where a mechanical backup for the electric release is not required. Typical applications for this type of trim are libraries and computer server rooms.

To flow water into a Type D Double Interlock Preaction System, two events must take place. A fire detection device must operate, and the low pressure switch must be operated by the loss of system air or nitrogen pressure due to sprinkler operation (see note 1 below). These two signals must coexist at the releasing control panel, which only then will energize the normally closed solenoid valve (175 psi (12,1 bar) or 300 psi (20,7 bar) rated), causing the water flow into the system.

These systems utilize fire detection devices and system air pressure as separate zones (inputs) to a cross-zoned releasing control panel. The solenoid releasing valve remains closed until energized by the releasing control panel. This will occur only when both a fire detection device is operated and the low air pressure switch has detected sufficient loss of system air pressure (sprinkler operation).

In the event that the system piping is ruptured, or a sprinkler head is accidentally opened, the low air pressure switch will operate and an alarm will sound. The Model DDX Deluge Valve, however, will not be released to flow water since the solenoid valve remains closed due to the cross-zoned control panel configuration. The same result would occur if a fire detection device were falsely operated. The control panel will activate an alarm, however again, the Model DDX Deluge Valve will not flow water due to the cross-zoned control panel configuration.

This requirement for both a detector to operate and the loss of system air pressure before the Model DDX Deluge Valve releases water into a preaction system assures maximum protection against inadvertent water flow before a sprinkler is open.

At the heart of Reliable's Type D Double Interlock Preaction System is the Model DDX Deluge Valve. This Deluge Valve is a hydraulically operated, straight through design, latching type valve (see Fig. 1). System maintenance is simplified since the Model DDX Deluge Valve can be reset externally without cover removal. This is accomplished by pushing in and turning the external reset knob at the rear of the Deluge Valve (see Fig. 1). This feature provides a significant system restoration time advantage.

The Reliable Model DDX Type D Double Interlock Preaction System trim set (see Fig. 2 & Fig. 3) provides all of the necessary equipment for connections to the Model DDX Deluge Valve's pushrod chamber inlet and outlet ports, a 1¼" (30 mm) main drain on 2" (50 mm), 2½" (65 mm), 76 mm and 3" (80 mm) valve sizes or a 2" (50 mm) main drain on 4" (100 mm), 165 mm, 6" (150 mm) and 8" (200 mm) valve sizes, alarm devices, air supply, water supply and required pressure gauges. This trim set is available in individual (loose) parts, in time-saving, segmented assembled kit forms or fully assembled to the Model DDX Deluge Valve (with or without a control valve).

Listings & Approvals:

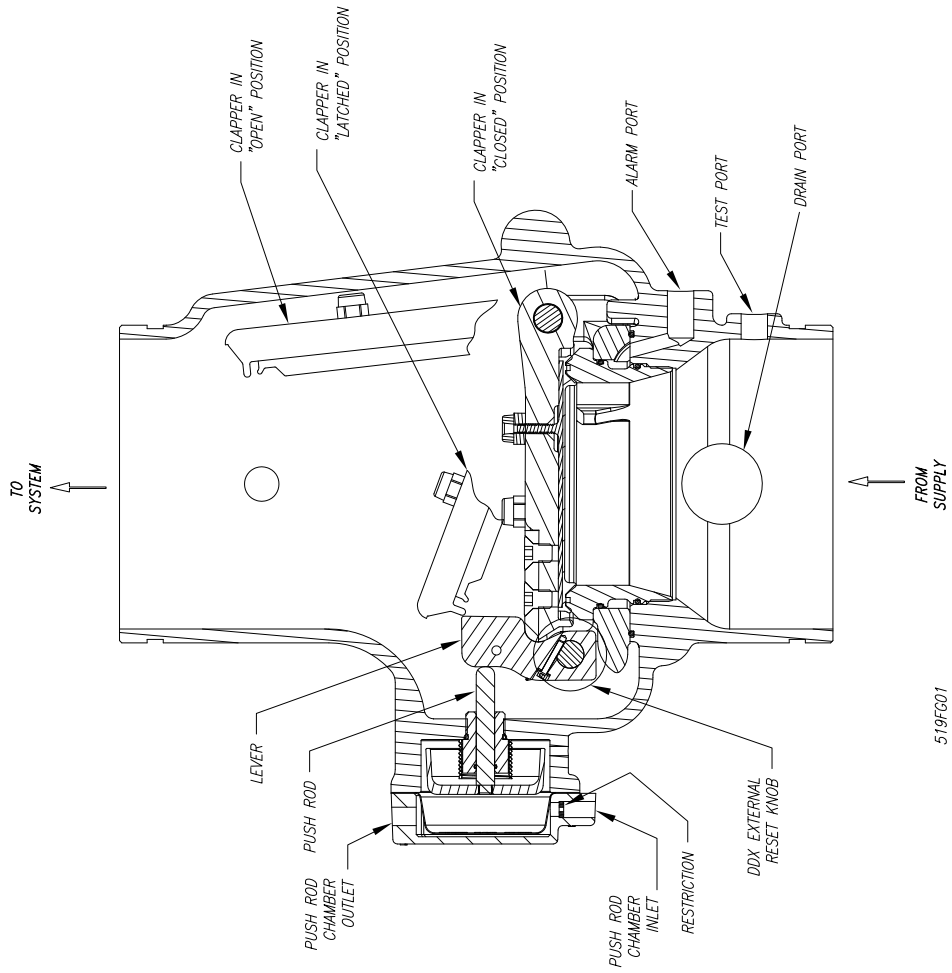
(Only when used with Reliable's Trim Sets.)

1. Reliable's Type D Double Interlock Preaction Systems 2" (50 mm), 2½" (65 mm), 76 mm and 3" (80 mm), 4" (100 mm), 165 mm, 6" (150 mm) and 8" (200 mm) are Factory Mutual Approved Refrigerated Area Sprinkler Systems for use in refrigerated rooms or buildings. Refrigerated area sprinkler systems are FM Approved as complete systems. Systems are FM Approved for use with thermal detectors and Class A detector wiring only.
2. Reliable's Type D Double Interlock Preaction Systems 2" (50 mm), 2½" (65 mm), 76 mm, 3" (80 mm), 4" (100 mm), 165 mm, 6" (150 mm) and 8" (200 mm) are Underwriters Laboratories, Inc. Listed and UL certified for Canada (cULus) in the Special System Water Control Valve-Double Interlock Type (VLJH) category.
3. The NYC acceptance number for this system is MEA 258-93-E.

The Reliable Model DDX Type D Double Interlock Preaction System is UL Listed and FM Approved only when used with the trim components shown in Fig. 2 & 3.

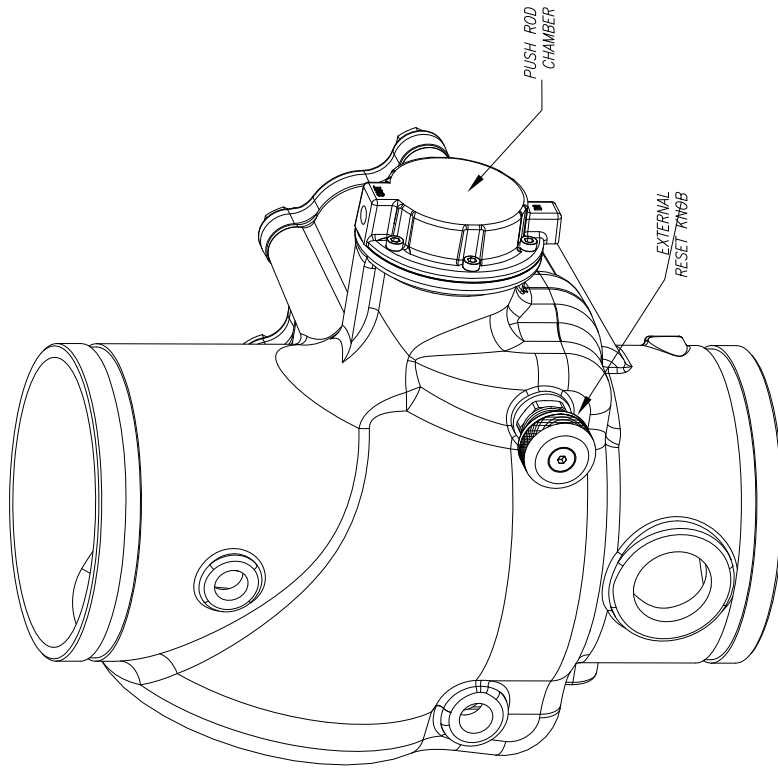
Note 1: Wherever the word "air" is used in this bulletin as a reference to the pneumatic pressure source it shall also mean "air or nitrogen."

DDX VALVE CLAPPER IN "OPEN", "CLOSED"
AND "LATCHED" POSITIONS



519FG01

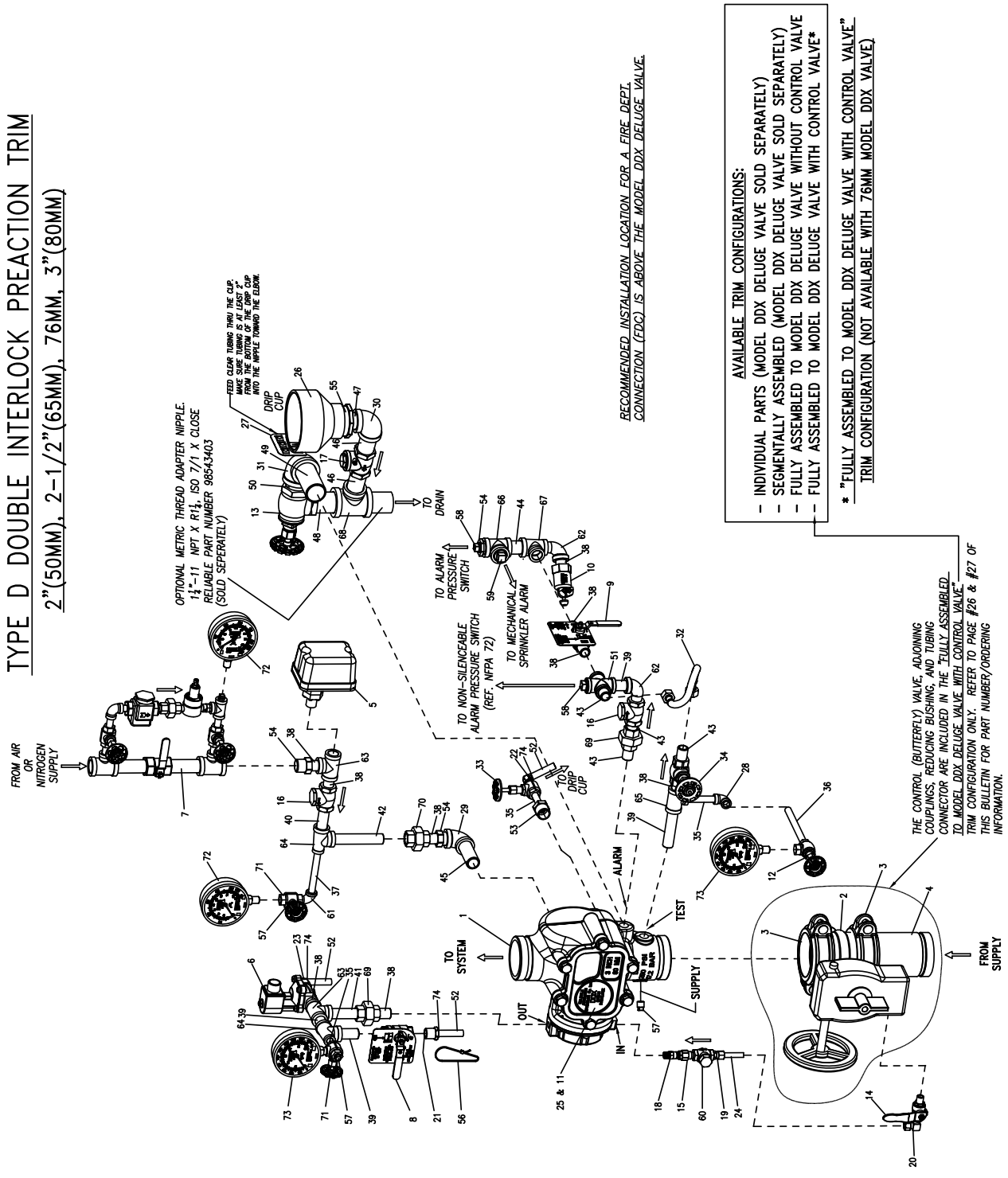
REAR VIEW OF MODEL
DDX VALVE



PUSH INWARD AND ROTATE KNOB CLOCKWISE TO RESET CLAPPER.
DO SO ONLY WHEN PUSH ROD CHAMBER IS VENTED.

Fig. 1

TYPE D DOUBLE INTERLOCK PREACTION TRIM
2" (50MM), 2-1/2" (65MM), 76MM, 3" (80MM)



RECOMMENDED INSTALLATION LOCATION FOR A FIRE DEPT. CONNECTION (FDC) IS ABOVE THE MODEL DDX DELUGE VALVE.

- AVAILABLE TRIM CONFIGURATIONS:
- INDIVIDUAL PARTS (MODEL DDX DELUGE VALVE SOLD SEPARATELY)
 - SEGMENTALLY ASSEMBLED (MODEL DDX DELUGE VALVE SOLD SEPARATELY)
 - FULLY ASSEMBLED TO MODEL DDX DELUGE VALVE WITHOUT CONTROL VALVE
 - FULLY ASSEMBLED TO MODEL DDX DELUGE VALVE WITH CONTROL VALVE*

* FULLY ASSEMBLED TO MODEL DDX DELUGE VALVE WITH CONTROL VALVE"
 TRIM CONFIGURATION (NOT AVAILABLE WITH 76MM MODEL DDX VALVE)

Fig. 2

Small DDX Type D Trim (Refer to Fig. 2)

Item No.	Part No.		Description	QTY.
	Galvanized	Black Pipe		
1	6103022000	6103022000	Valve Assembly, 2" (50mm) - For 2" Assembly Only	1
	6103022500	6103022500	Valve Assembly, 2½" (65mm) - For 2½" Assembly Only	
	6103027600	6103027600	Valve Assembly, 76mm - For 76mm Assembly Only	
	6103030000	6103030000	Valve Assembly, 3" (80mm) - For 3" Assembly Only	
2	6990003549	6990003549	Butterfly Valve, 2" - For 2" Assembly Only	1
	6215051000	6215051000	Butterfly Valve, 2½" - For 2½" Assembly Only	
	6215051200	6215051200	Butterfly Valve, 3" - For 3" Assembly Only	
3	7G05080800	7G05080800	Rigid Coupling, 2" - For 2" Assembly Only	2
	7G05101000	7G05101000	Rigid Coupling, 2½" - For 2½" Assembly Only	
	7G05121200	7G05121200	Rigid Coupling, 3" - For 3" Assembly Only	
4	91004002	91004002	Outlet Spool, 2" - For 2" Assembly Only	1
	91004001	91004001	Outlet Spool, 2½" - For 2½" Assembly Only	
	91004003	91004003	Outlet Spool, 3" - For 3" Assembly Only	
5	6999991212	6999991212	Pressure Switch, EPS10-2 (UL/FM)	1
	6999992360	6999992360	Pressure Switch, EPSA10-2 (ULC)	
6	6871020000	6871020000	Solenoid Valve (175 psi)	1
	6871020020	6871020020	Solenoid Valve (300 psi)	
7	6304000100	6304000100	Model A-2 Pressure Maintenance Device	1
8	78653000	78653000	Manual Emergency Station Assembly	1
9	78653004	78653004	Valve Caution Station Assembly	1
10	78653100	78653100	Ball Drip Valve, ½"	1
11	99080002	99080002	Adhesive Pad	1
12	98840101	98840101	Angle Valve, ¼"	1
13	98840106	98840106	Angle Valve, 1¼"	1
14	98840117	98840117	Ball Valve, ¼" NPTF x ¼" NPTM	1
15	98840188	98840188	Check Valve, ¼" NPTM x ¼" NPTF	1
16	98840181	98840181	Check Valve, Horizontal Swing, ½" NPT	2
17	98840145	98840145	Check Valve, Horizontal Swing, 1" NPT	1
18	98840147	98840147	Check Valve, Inline Poppet, ¼"	1
19	92056702	92056702	Compression Connector, ⅜" ID Tube x ¼" NPT	1
20	92056703	92056703	Compression Connector, Elbow ⅜" ID Tube x ¼" NPT	1
21	92056810	92056810	Connector, ⅜" ID Tube x ½" NPT	1
22	92056705	92056705	Connector, Elbow, ⅜" ID Tube x ¼" NPT	1
23	92056704	92056704	Connector, Elbow, ⅜" ID Tube x ½" NPT	1

Item No.	Part No.		Description	QTY.
	Galvanized	Black Pipe		
24	96686722	96686722	Copper Tubing, ⅜" OD x 2 ft.	1
25	94616918	94616918	Type D Double Interlock Nameplate	1
26	98050004	98050004	Drain Cup, PVC	1
27	95306270	95306270	Drain Hose Clip	1
28	98174404	98164402	Elbow, ¼"	1
29	98174402	98164400	Elbow, ¾"	1
30	98174403	98164404	Elbow, 1"	1
31	98174414	98164407	Elbow, 1¼"	1
32	96920912	96920912	Flex Line, ½"	1
33	98840172	98840172	Globe Valve, ¼"	1
34	98840171	98840171	Globe Valve, ½"	1
35	98543226	98523213	Nipple ¼" x 1½"	3
36	98543243	98526522	Nipple ¼" x 4"	1
37	98543224	98523211	Nipple ¼" x 4½"	1
38	98543223	98523210	Nipple ½" x 1½"	9
39	98543209	98523209	Nipple ½" x 2"	4
40	98543210	98523208	Nipple ½" x 2½"	1
41	98543230	98523230	Nipple ½" x 3"	1
42	98543228	98523234	Nipple ½" x 4½"	1
43	98543212	98523221	Nipple ½" x Close	4
44	98543232	98523242	Nipple ¾" x 2"	1
45	98543231	98523240	Nipple ¾" x 3"	1
46	98543263	98523261	Nipple 1" x 3"	2
47	98543213	98523222	Nipple 1" x Close	1
48	98543239	98523256	Nipple 1¼" x 3"	1
49	98543250	98523264	Nipple 1¼" x 4"	1
50	98543285	98523274	Nipple 1¼" x Close	1
51	98750003	98750013	Pipe Cross, ½"	1
52	96686756	96686756	PVC Tubing, ⅜" ID x 6 ft.	1
53	98048025	98048011	Reducer Bushing, ¾" x ¼"	1
54	98048022	98048012	Reducer Bushing, ¾" x ½"	3
55	98048015	98048015	Reducer Bushing, 2" Spigot x 1" NPTF, PVC	1
56	89141112	89141112	Retaining Tie	9
57	98614403	98604403	Square Head Plug, ¼"	3
58	98604406	98604402	Square Head Plug, ½"	2
59	98614401	98604401	Square Head Plug, ¾"	1
60	98727607	98727607	Strainer, ¼"	1
61	98174408	98164410	Street Elbow, ¼"	1
62	98174400	98164409	Street Elbow, ½"	2
63	98761651	98761603	Tee, ½"	2
64	98761649	98761604	Tee, ½" x ¼" x ½"	2
65	96606607	98761605	Tee, ½" x ½" x ¼"	1
66	96606601	98766521	Tee, ¾"	1
67	96606612	98761614	Tee, ¾" x ½" x ½"	1
68	96606603	98761621	Tee, 1¼" x 1¼" x 1"	1
69	98815200	98805200	Union, ½"	2
70	98815204	98845204	Union, ½", O-ring Seal	1
71	98840160	98840160	Valve, 3-way, ¼"	2
72	98248000	98248000	Air Pressure Gauge (0-80 psi)	2
73	98248001	98248001	Water Pressure Gauge (0-300 psi)	2
74	95306255	95306255	Hose Clip	3

TYPE D DOUBLE INTERLOCK PREACTION TRIM
4" (100MM), 6" (150MM), 165MM, 8" (200MM)

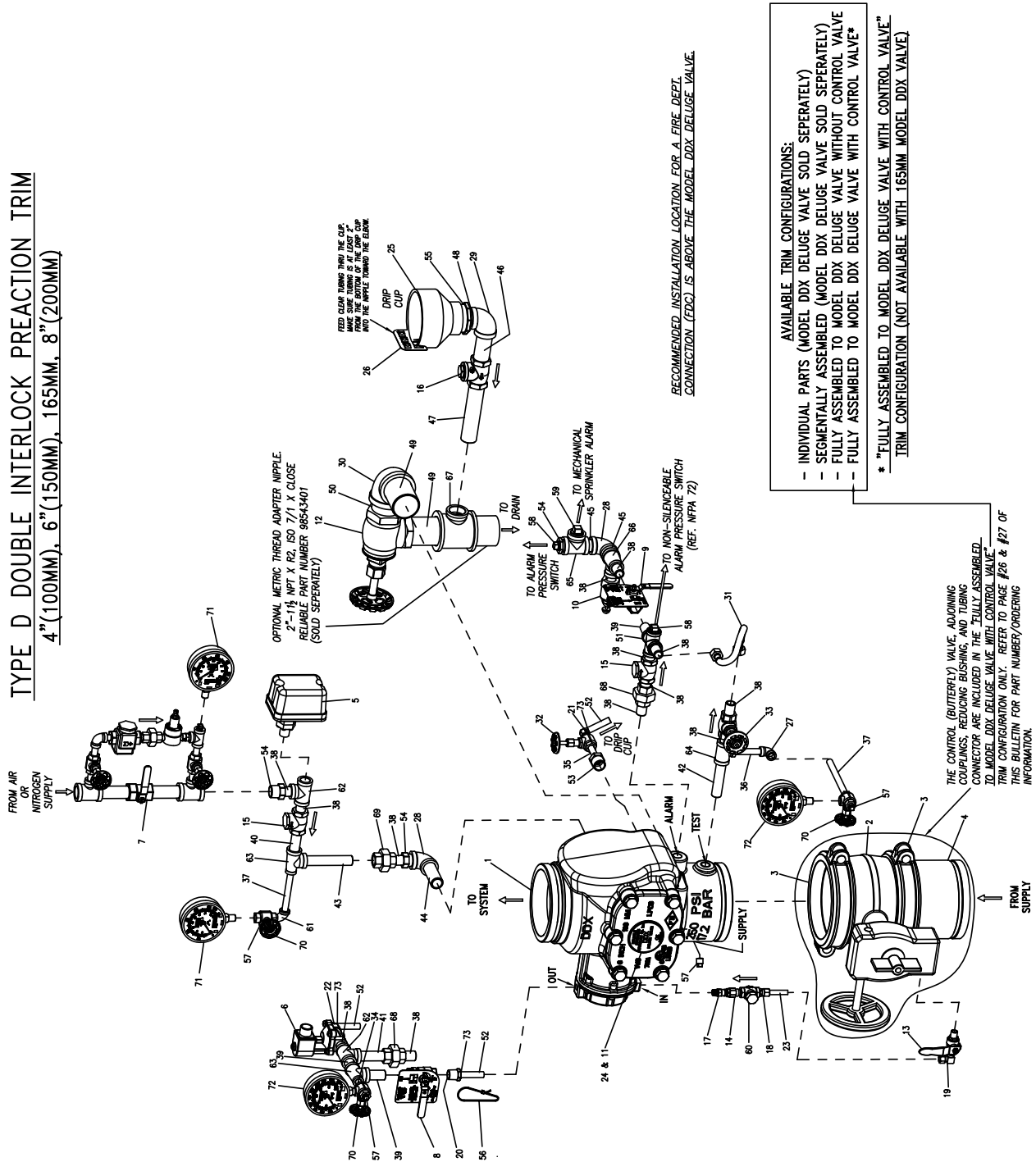


Fig. 3

Large DDX Type D Trim (Refer to Fig. 3)

Item No.	Part No.		Description	QTY.
	Galvanized	Black Pipe		
1	6103060024	6103060024	Valve Assembly, 4" (100mm) - For 4" Assembly Only	1
	6103040026	6103040026	Valve Assembly, 6" (150mm) - For 6" Assembly Only	
	6103060028	6103060028	Valve Assembly, 165mm - For 165mm Assembly Only	
	6103080001	6103080001	Valve Assembly, 8" (200mm) - For 8" Assembly Only	
2	6215051600	6215051600	Butterfly Valve, 4" - For 4" Assembly Only	1
	6215052400	6215052400	Butterfly Valve, 6" - For 6" Assembly Only	
	6215053200	6215053200	Butterfly Valve, 8" - For 8" Assembly Only	
3	7G05161600	7G05161600	Rigid Coupling, 4" - For 4" Assembly Only	2
	7G05242400	7G05242400	Rigid Coupling, 6" - For 6" Assembly Only	
	7G05323200	7G05323200	Rigid Coupling, 8" - For 8" Assembly Only	
4	91004004	91004004	Outlet Spool, 4" - For 4" Assembly Only	1
	91004006	91004006	Outlet Spool, 6" - For 6" Assembly Only	
	91004008	91004008	Outlet Spool, 8" - For 8" Assembly Only	
5	6999991212	6999991212	Pressure Switch, EPS10-2 (UL/FM)	1
	6999992360	6999992360	Pressure Switch, EPSA10-2 (ULC)	
6	6871020000	6871020000	Solenoid Valve (175 psi)	1
	6871020020	6871020020	Solenoid Valve (300 psi)	
7	6304000100	6304000100	Model A-2 Pressure Maintenance Device	1
8	78653000	78653000	Manual Emergency Station Assembly	1
9	78653004	78653004	Valve Caution Station Assembly	1
10	78653100	78653100	Ball Drip Valve, 1/2"	1
11	99080002	99080002	Adhesive Pad	1
12	98840100	98840100	Angle Valve, 2"	1
13	98840117	98840117	Ball Valve, 1/4" NPTF x 1/4" NPTM	1
14	98840188	98840188	Check Valve, 1/4" NPTM x 1/4" NPTF	1
15	98840181	98840181	Check Valve, Horizontal Swing, 1/2" NPT	2
16	98840145	98840145	Check Valve, Horizontal Swing, 1" NPT	1
17	98840147	98840147	Check Valve, Inline Poppet, 1/4"	1
18	92056702	92056702	Compression Connector, 3/8" ID Tube x 1/4" NPT	1
19	92056703	92056703	Compression Connector, Elbow 3/8" ID Tube x 1/4" NPT	1
20	92056810	92056810	Connector, 3/8" ID Tube x 1/2" NPT	1
21	92056705	92056705	Connector, Elbow, 3/8" ID Tube x 1/4" NPT	1
22	92056704	92056704	Connector, Elbow, 3/8" ID Tube x 1/2" NPT	1

Item No.	Part No.		Description	QTY.
	Galvanized	Black Pipe		
23	96686722	96686722	Copper Tubing, 3/8" OD x 2 ft.	1
24	94616918	94616918	Type D Double Interlock Nameplate	1
25	98050004	98050004	Drain Cup, PVC	1
26	95306270	95306270	Drain Hose Clip	1
27	98174404	98164402	Elbow, 1/4"	1
28	98174402	98164400	Elbow, 3/4"	2
29	98174403	98164404	Elbow, 1"	1
30	98174405	98164405	Elbow, 2"	1
31	96920912	96920912	Flex Line, 1/2"	1
32	98840172	98840172	Globe Valve, 1/4"	1
33	98840171	98840171	Globe Valve, 1/2"	1
34	98543226	98523213	Nipple 1/4" x 1 1/2"	1
35	98543225	98573220	Nipple 1/4" x 2 1/2"	1
36	98543220	98523219	Nipple 1/4" x 3"	1
37	98543217	98523217	Nipple 1/4" x 6"	2
38	98543223	98523210	Nipple 1/2" x 1 1/2"	13
39	98543209	98523209	Nipple 1/2" x 2"	3
40	98543210	98523208	Nipple 1/2" x 2 1/2"	1
41	98543230	98523230	Nipple 1/2" x 3"	1
42	98543216	98523216	Nipple 1/2" x 3 1/2"	1
43	98543237	98523250	Nipple 1/2" x 8"	1
44	98543234	98523247	Nipple 3/4" x 3 1/2"	1
45	98543279	98523241	Nipple 3/4" x Close	2
46	98543222	98523224	Nipple 1" x 3 1/2"	1
47	98543266	98523228	Nipple 1" x 6"	1
48	98543213	98523222	Nipple 1" x Close	1
49	98543262	98523262	Nipple 2" x 3 1/2"	2
50	98543238	98523254	Nipple 2" x Close	1
51	98750003	98750013	Pipe Cross, 1/2"	1
52	96686756	96686756	PVC Tubing, 3/8" ID x 6 ft.	1
53	98048025	98048011	Reducer Bushing, 3/4" x 1/4"	1
54	98048022	98048012	Reducer Bushing, 3/4" x 1/2"	3
55	98048015	98048015	Reducer Bushing, 2" Spigot x 1" NPTF, PVC	1
56	89141112	89141112	Retaining Tie	9
57	98614403	98604403	Square Head Plug, 1/4"	4
58	98604406	98604402	Square Head Plug, 1/2"	2
59	98614401	98604401	Square Head Plug, 3/4"	1
60	98727607	98727607	Strainer, 1/4"	1
61	98174408	98164410	Street Elbow, 1/4"	1
62	98761651	98761603	Tee, 1/2"	2
63	98761649	98761604	Tee, 1/2" x 1/4" x 1/2"	2
64	96606607	98761605	Tee, 1/2" x 1/2" x 1/4"	1
65	96606601	98766521	Tee, 3/4"	1
66	96606612	98761614	Tee, 3/4" x 1/2" x 1/2"	1
67	96606627	98761618	Tee, 2" x 2" x 1"	1
68	98815200	98805200	Union, 1/2"	2
69	98815204	98845204	Union, 1/2", O-ring Seal	1
70	98840160	98840160	Valve, 3-way, 1/4"	3
71	98248000	98248000	Air Pressure Gauge (0-80 psi)	2
72	98248001	98248001	Water Pressure Gauge (0-300 psi)	2
73	95306255	95306255	Hose Clamp	3

System Operation

When set correctly for service, the Model DDX Deluge Valve is hydraulically established to withhold the supply water from the sprinkler system piping. The Reliable Model DDX Deluge Valve is shown in both closed and open positions in Fig. 1. In the closed position, the supply pressure acts on the underside of the clapper and also on the push rod through the push rod chamber's inlet restriction. The resultant force due to the supply pressure acting on the push rod is multiplied by the mechanical advantage of the lever and is more than sufficient to hold the clapper closed against normal supply pressure surges.

Whenever a fire and a low system air pressure condition are detected, the energized solenoid valve vents the push rod chamber to atmosphere through the chamber's outlet. Since the pressure can not be replenished through the inlet restriction as rapidly as it is vented, the pushrod chamber pressure falls instantaneously. When the pushrod chamber pressure approaches approximately one-third of the supply pressure, the upward force of the supply pressure acting beneath the clapper overcomes the lever applied force, thereby opening the clapper.

Once the clapper has opened, the lever acts as a latch, preventing the clapper from returning to the closed position. Water from the supply flows through the Deluge Valve into the sprinkler system piping. Water also flows through the Deluge Valve alarm outlet to the alarm devices.

After system shutdown, resetting the Model DDX Deluge Valve is quite simple. Doing so only requires pushing in and turning the reset knob at the rear of the valve (see Fig 1). The

external reset feature of the Model DDX Deluge Valve provides a means for simple, economical system testing, which is one essential facet of a good maintenance program. The external reset feature does not, however, eliminate another important facet of good maintenance, namely, periodic cleaning and inspection of the internal valve parts.

In the event that water builds up inside the valve due to condensate from the air supply system or water left inside from valve system testing, a drain is available for venting. After closing the main supply valve, a small valve over the drain cup can be opened slightly until the water inside the valve body and the main pipe column has drained. See the section titled "Draining Excess/Condensate Water From System" in this bulletin for the detailed procedure.

The Model B Manual Emergency Station (see Fig. 4) is also included in the Reliable Type D Double Interlock Preaction System trim sets. It consists of an aluminum nameplate mechanically attached to a ball valve. The valve handle in its OFF position is guarded against accidental turning to the ON position (and system discharge) by a nylon cable tie provided with each trim kit. The cable tie is inserted, as shown in Fig. 4, after the system has been restored for operation. The nylon cable tie is designed to allow, in case of an emergency, forceful turning of the valve handle to the ON position. As an alternative to the Model B Hydraulic Manual Emergency Station, the Model A Hydraulic Manual Emergency Pull Box (see Reliable Bulletin 506) is also available and can be provided as an option.

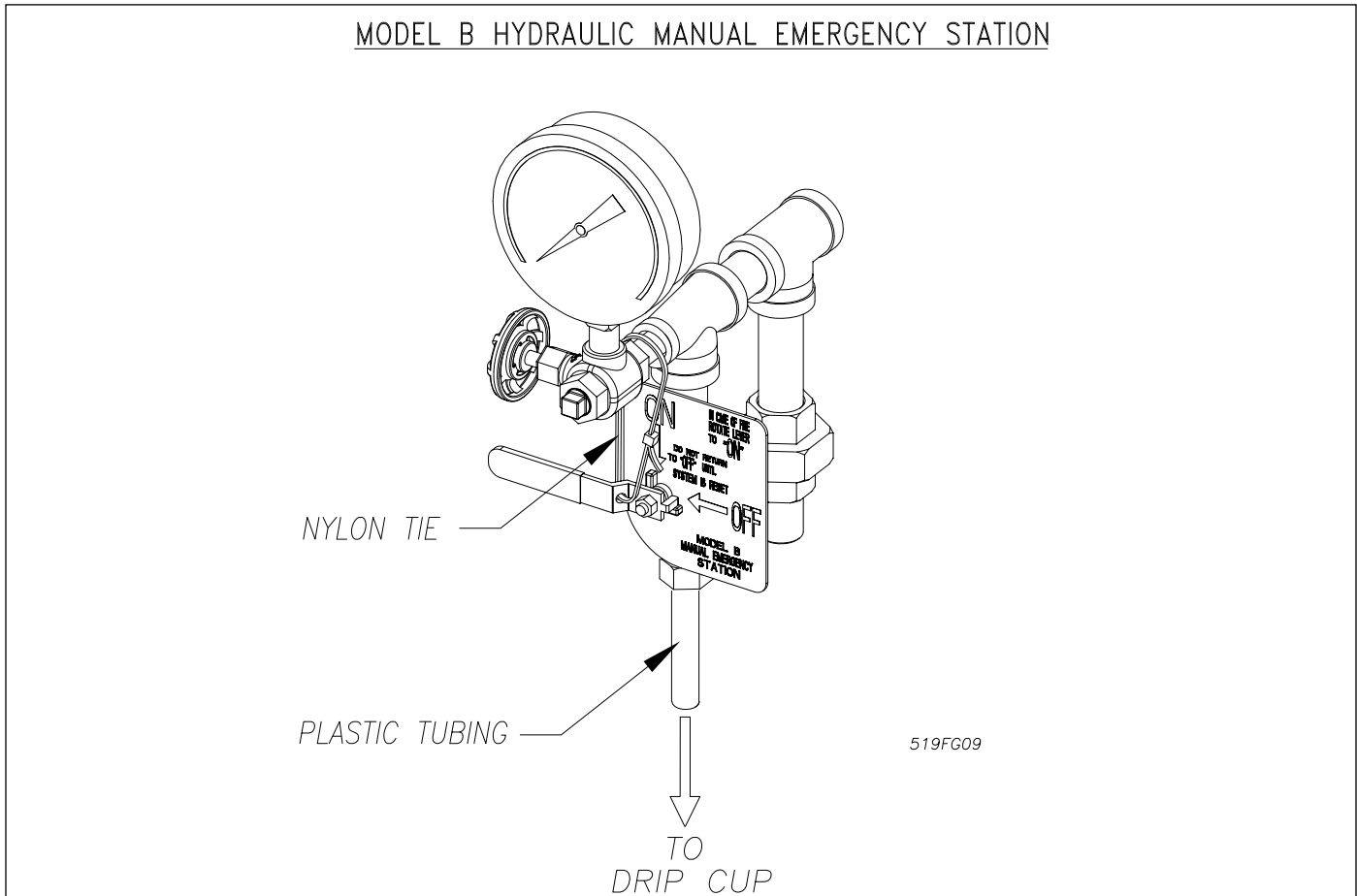


Fig. 4

Whenever ambient temperature conditions are high, the water temperature in the Model DDX Deluge Valve's pushrod chamber could possibly increase, thereby increasing the pressure in the chamber to values exceeding the rated pressure of the system. In an indoor installation where standard room temperatures are exceeded, a pressure relief kit may be needed. Pressure relief kit, P/N 6503050001, can be installed into the pushrod chamber's releasing line to limit the pressure to 250 psi (17,2 bar).

Reliable Model DDX Deluge Valve with associated Type D Double Interlock Preaction Trims sizes 2" (50 mm), 2½" (65 mm), 76 mm, 3" (80 mm), 4" (100 mm), 165 mm, 6" (150 mm) and 8" (200 mm) are rated for use at a minimum water supply pressure of 20 psi (1,4 bar) and a maximum water supply pressure of 250 psi (17,2 bar) for 2" (50mm), 2½" (65mm), 3" (80mm), 76mm and 8" (200mm) valve sizes and 300 psi (20,7 bar) for 4" (100mm), 6" (150mm) and 165mm valve sizes. Water supplied to the inlet of the valve and to the push rod chamber must be maintained between 40°F (4°C) and 140°F(60°C).

Pressurizing Line Connection

The water supply for the push-rod chamber must be provided by connection of its inlet pressurizing line to the water supply piping. Pressurizing lines for multiple Model DDX Deluge Valve push-rod chambers must never be manifolded together, having only a single tap on the water supply piping. Each Model DDX Deluge Valve must have its own push-rod chamber pressurizing line connection.

This connection must be made on the supply side of the water supply control valve (see Fig. 2 or Fig. 3). This can be accomplished by:

- Using a tapped connection directly below or next to the main water supply control valve using a welded outlet or the appropriate mechanical fittings. A grooved-end outlet coupling is one way to achieve this; or
- Using a water supply control valve that has an available threaded (NPT) supply-side tap design to allow for a direct water supply connection to the Model DDX Deluge Valve's push-rod chamber.

Caution: Reliable's DDX valve is designed with an inlet restriction built into the pushrod chamber. It is important not to introduce additional restrictions into the direct water supply connection or the discharge from the pushrod chamber by installing additional valves or improperly installing the copper lines used in the trim of the valve.

Hydrostatic Testing of DDX Valves and DDX Systems

As required by NFPA 13, fire sprinkler systems with working pressures up to and including 150 psi are to be hydrostatically tested at a water pressure of 200 psi and maintain that pressure without loss for two hours. Fire sprinkler systems with working pressures above 150 psi are required to be hydrostatically tested at 50 psi above the system working pressure and maintain that pressure without loss for two hours. In addition to the hydrostatic tests described above, dry pipe and double interlock preaction systems require an additional low pressure air test.

In some cases, hydrostatic testing (in accordance with the NFPA 13 requirements noted above) will result in pressures that exceed the working pressure of the valve and trim kit for the two-

hour test period. **The valve and applicable trim kit have been tested, approved and listed under these conditions and as such, hydrostatic testing in accordance with NFPA 13 is acceptable. In addition, the clapper can remain in the closed position and the trim kit need not be isolated, as each has been designed to withstand hydrostatic testing as required by NFPA 13.**

Hydrostatically testing the valve and trim to pressures higher than their rating is limited to the hydrostatic test as referenced by NFPA 13. It does not address the occurrence(s) of a "water hammer" effect, which can indeed damage the valve. A "water hammer" in the water supply piping of the valve can create pressures in excess of the rated pressure and should be avoided by all necessary means. This condition may be created from improper fire pump settings, underground construction work, or an improper venting of trapped air in the water supply piping.

System Design Considerations

The automatic sprinklers, air compressor, releasing devices, electric releasing control equipment, fire detection devices, manual pull stations, and signaling devices which are utilized with the Type D Double Interlock Preaction System must be UL or ULC Listed or FM Approved, as applicable.

Factory Mutual requires that detection devices in refrigerated areas be of the fixed temperature type. In addition, they must have a temperature rating lower than that of the sprinklers and preferably as low as possible for the given ambient conditions.

The Deluge Valve, and all interconnecting piping must be located in a readily visible and accessible location and in an area that can be maintained above 40°F (4°C). **Note:** Heat Tracing is not permitted.

Pendent sprinklers, other than dry pendants, used on preaction systems shall be installed on return bends per NFPA 13.

The solenoid valve is operated and supervised by the electrical releasing/control panel. Details on the electrical portion of this system can be found in Reliable Bulletin 718, "Solenoid Valves".

System Air Pressure Requirements

In accordance with NFPA 13, Double Interlock Preaction Systems require a minimum of 7 psi (0,5 bar) pneumatic pressure to supervise the sprinkler system. The Model A-2 Pressure Maintenance Device is used to maintain the system pneumatic pressure between 7 and 10 psi (0,5 and 0,7 bar) where a dry nitrogen gas supply or a clean, dependable and continuous (24 hours a day, 7 days a week) compressed air source is available.

To adjust the system pneumatic pressure between 7 and 10 psi (0,5 and 0,7 bar) refer to Reliable Bulletin 254. The low air pressure alarm switch (item #5, Fig. 2 or item #5, Fig. 3) is factory set to operate between 5 and 6 psi (0,3 and 0,4 bar) with decreasing pressure. If necessary, adjustments can be made by following the manufacturer's adjustment procedure as described in the installation and maintenance instructions enclosed with the switch.

Note: The dew point of the air must be maintained below the lowest ambient temperature to which the double interlock preaction system piping will be exposed. Introduction of moisture into the system piping that is exposed to freezing temperatures can create ice blockage, which could prevent proper operation

of the sprinkler system. As a minimum, the supply of air should be taken from the refrigerated area at the lowest temperature. The air supply system must be carefully designed to prevent plugging by frost deposits. Special requirements such as those in FME&R's "installation Guidelines for Refrigerated Storage" may need to be incorporated.

Each Type D Double Interlock Preaction system is provided with a Model A-2 Pressure Maintenance Device for individual monitoring of pneumatic pressure and proper operation of the system. The Model A-2 Pressure Maintenance Device requires a tank mounted air compressor.

System Electrical Requirements

All releasing and detection devices in Reliable's Model DDX Type D Double Interlock Preaction System are operated and supervised by the PFC-4410-RC Releasing Control Panel in accordance to the wiring diagram shown in Fig. 5. the releasing control panel should be set to use Program #11 (see Potter Instruction Manual #5403550).

The power supply, the standby emergency power supply, battery charger, and the rectifier circuitry are all contained within the Potter PFC-4410-RC Releasing Control Panel. Batteries that provide ninety hours of standby power are required for Factory Mutual Approved systems.

The Model BNG-1 Manual Emergency Station can be connected as a simple detector for fire annunciation, or the Model BNG-1F can be connected to both zones for total system emergency manual operation.

The solenoid valve is operated and supervised by the Potter PFC-4410-RC Releasing Control Panel. Potter PFC-4410-RC Releasing Control Panel requires 120 VAC.

Note:

In order for the solenoid valve to maintain Reliable's warranty it must remain sealed as it came from the factory. If there are concerns about the valve's internal components, immediate replacement is recommended.

Standard Solenoid Valve Specifications:

Skinner Model 73218BN4UNLVN0C111C2
Rated working pressure: 175 psi (12,1 bar)
Voltage: 24 VDC
Power: 10 Watts
Current: 0.41 Amps Holding
Enclosure Coil: NEMA 4X
Pipe Size: ½" NPT Female
Cv Factor: 4.0

Alternate Solenoid Valve Specifications:

Skinner Model 73212BN4TNLVN0C322C2
Rated working pressure: 300 psi (20,7 bar)
Voltage: 24 VDC
Power: 22 Watts
Current: 0.83 Amps Holding
Enclosure Coil: NEMA 4X
Pipe Size: ½" NPT Female
Cv Factor: 2.8

Type D Double Interlock Preaction Systems Engineering Specification

2" (50 mm), 2½" (65 mm), 76 mm, 3" (80 mm), 4" (100 mm), 165 mm, 6" (150 mm) and 8" (200 mm) Model DDX Deluge Valve

Preaction System shall be a Double Interlock Preaction System utilizing a [2" (50 mm)][2½" (65 mm)][76 mm] [3" (80 mm)] [4" (100 mm)][165 mm][6" (150 mm)][8" (200 mm)] [cULus Listed] [Factory Mutual Approved] Reliable Model DDX Deluge Valve. Deluge valve shall be a [2" (50 mm)][2½" (65 mm)][76 mm] [3" (80 mm)][4" (100 mm)][165 mm][6" (150 mm)][8" (200 mm)] [cULus Listed] [Factory Mutual Approved] hydraulically operated, differential latching-clapper type valve. Deluge Valve construction shall be of lightweight, ductile iron construction with either a "screw in" stainless steel seat and clapper assembly or drop in bronze seat and clapper assembly. Stainless steel or Bronze seat shall have O-ring seals to resist leakage and corrosion. Clapper facing shall be pressure actuated, providing a limited compression seat for the sealing force between the clapper rubber facing and the valve seat. Deluge valve shall have an external reset knob for resetting the clapper without requiring the removal of the valve face plate. Push-rod chamber design shall consist of a stainless steel piston/ push-rod and spring assembly with diaphragm seal secured to the casting through a push-rod guide constructed of a synthetic engineering plastic to resist corrosion. Casting shall have a bleeder hole located on the pushrod chamber for air/water leakage indication. Trip ratio shall be approximately a 3:1 force differential. Deluge valve shall be of the straight through design to minimize friction loss. Inlet restriction orifice shall be factory installed into the inlet port of the deluge valve push-rod cover plate and not be a separate part of the deluge valve trim. End connection style to be [2" (50 mm)] [2½" (65 mm)][76 mm] [3" (80 mm)][4" (100 mm)][165 mm] [6" (150 mm)][8" (200mm)] grooved, per ANSI/AWWA C606 or flanged per ASME B16.5 or ISO 7005. Deluge valve shall have a rated working pressure of 250 psi (17,2 bar) for 2" (50mm), 2½" (65mm), 3" (80mm), 76mm and 8" (200mm) valve sizes and 300 psi (20,7 bar) for 4" (100mm), 6" (150mm) and 165mm valve sizes and shall be factory hydrostatic tested at 500 psi (34,5 bar) for 2" (50mm), 2½" (65mm), 3" (80mm), 76mm and 8" (200mm) valve sizes and 600 psi (41,4 bar) for 4" (100mm), 6" (150mm) and 165mm valve sizes.

Deluge valve to be [2" (50 mm)][2½" (65 mm)][76 mm] [3" (80 mm)][4" (100 mm)][165 mm][6" (150 mm)][8" (200 mm)] Reliable Model DDX Deluge Valve (Bulletin 519).

Valve trim shall be Type D electric/pneumatic-electric release trim consisting of the following components:

- Hydraulic trim to be either galvanized and brass components or black pipe and brass components. All trims and components to be listed/Approved with the Deluge Valve, including associated pressure gauges, 1¼" or 2" drain connection, alarm devices, alarm test and push-rod chamber connections.
- Electrical two-way, normally closed, pilot operated solenoid valve [cULus] [FM Approved] for its intended use. The solenoid valve shall be constructed of a brass body with stainless steel sleeve tube, springs, stop and plunger, and with ½" female NPT end connections. Solenoid valve shall have a maximum working pressure of [175 psi (12,1 bar)] [300 psi (20,7 bar)] and a maximum ambient temperature rating of 150°F (66°C). Power consumption of the integrated coil shall be limited to [10 watts for the 175 psi (12,1 bar) rated] [22 watts for the 300 psi (20,7 bar) rated] and require 24 VDC from a re-

TYPE D DOUBLE INTERLOCK PREACTION SYSTEM ELECTRICAL CONNECTIONS

NEUTRAL
120VAC/60Hz
165 VA MAX.
220VAC/50Hz
185 VA MAX.

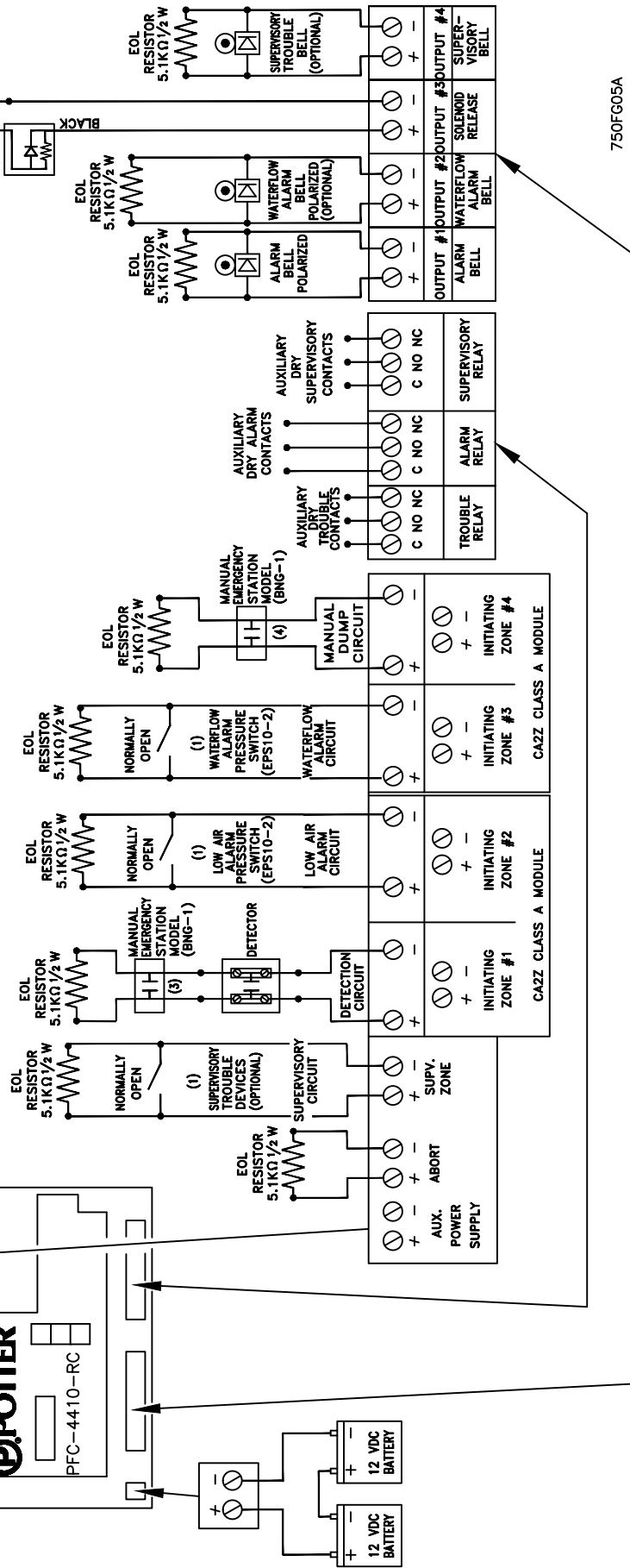
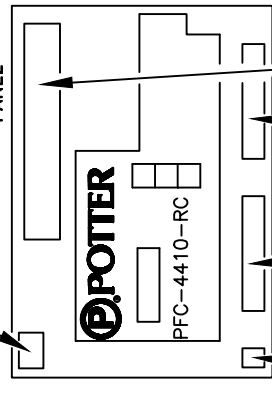
175 PSI (12.1 BAR) RATED SOLENOID VALVE - 24 VDC, 10 WATTS, SKINNER (PARKER HANNIFIN CORP.) P/N 75218BN4UNLVNOC111C2, RELIABLE P/N 6871010000
300 PSI (20.7 BAR) RATED SOLENOID VALVE - 24 VDC, 22 WATTS, SKINNER (PARKER HANNIFIN CORP.) P/N 75212BN4TNLVNOC322C2, RELIABLE P/N 6871010020



USE POTTER PFC-4410-RC PROGRAM #11

(SEE PFC-4410-RC INSTRUCTION MANUAL #5403550)

POTTER PFC-4410-RC
RELEASING/CONTROL
PANEL



- (1) THESE DEVICES MUST HAVE CONTACTS OPEN DURING THE NORMAL "SYSTEM READY" CONDITION.
- (2) -----
- (3) A MANUAL PULL STATION ON INITIATING ZONE #1 WILL ONLY SOUND AN ALARM. IT WILL NOT ENERGIZE THE SOLENOID VALVE WITHOUT A CORRESPONDING LOW AIR ALARM.
- (4) A MANUAL PULL STATION ON INITIATING ZONE #4 WILL ENERGIZE THE SOLENOID VALVE AND SOUND AN ALARM. USE THIS MANUAL PULL STATION TO SET UP SYSTEM.

Fig.5

leasing Control Panel listed for such service. Solenoid shall be a Skinner ½" normally closed solenoid valve [73218BN4UNLVNOC111C2 (175 psi (12,1 bar) rated)] [73212BN4TNLVNOC322C2 (300 psi (20,7 bar) rated)].

- Low air pressure switch to indicate loss of air pressure in system piping. Pressure switch shall be [cULus Listed] [FM Approved] and of the bellows activated type enclosed in a weatherproof NEMA 4/4X rated enclosure incorporating tamper proof screws. There shall be two sets of SPDT (form C) contacts rated 10.0 A @ 125/250 VAC and 2.5 A @ 6/12/24 VDC. The pressure switch shall have a maximum service pressure rating of 250 psi (17,2bar) and shall be factory adjusted to operate at a pressure of 4 to 8 psi (0,27 to 0,55 bar) with adjustment up to 20 psi (1,3 bar). Switch shall be provided with a ½" NPT male pressure connection. Low air supervisory switch shall be System Sensor EPS10-2.
- Pressure maintenance device for maintaining a constant pneumatic system pressure regardless of pressure fluctuations in the compressed air (or nitrogen) source. The pressure maintenance device shall consist of galvanized trim and brass parts, including a strainer, a field adjustable air pressure regulator and associated pressure gauge. The pressure regulator shall have an adjustable outlet pressure range of 5 to 100 psi (0,34 to 6,8 bar). The pressure maintenance device shall have a working pressure of 175 psi (12,1 bar). Recommended supervisory pressure shall be 7 to 10 psi (0,5 to 0,7 bar). Pressure maintenance device shall be Reliable Model A-2.

Double Interlock Preaction System shall be Reliable Double Interlock Type D Preaction System, Bulletin 750.

Pneumatic Supervisory Pressure Supply Options

Note: See Reliable Bulletin 254 for complete information on air and nitrogen regulating equipment.

Owner's Air supply

Supervisory air supply shall be provided by an owner supplied air system in conjunction with a [cULus Listed] automatic pressure maintenance device, capable of maintaining a constant system pressure regardless of pressure fluctuations in the compressed air source.

Compressed Air Supply

Supervisory air supply shall be provided by an automatic tank-mounted air compressor sized (appropriate hp (kW)) for the capacity (volume) of the double interlock preaction system piping, and be capable of restoring normal air pressure in the system within the time limits specified by NFPA 13. Tank mounted compressor shall be a motor mounted, oil-less, piston compressor, including gauge, pressure switch, check valve, drain valve and safety relief valve. Single-phase motor shall have internal thermal protection.

Nitrogen

Nitrogen cylinders provided by an approved source shall provide the nitrogen supply. The nitrogen cylinder pressure shall be regulated and supervised through the use of nitrogen regulating device and low-pressure trim kit. This device shall consist of a brass, single stage pressure regulator, equipped with high

pressure inlet and low pressure outlet gauges, and ¼" copper connection tubing with galvanized ¾" x ¼" reducer bushing. Optional: Low-pressure trim kit shall be included to monitor the regulated nitrogen supply pressure to provide a low-pressure supervisory alarm. This kit shall include a low-pressure switch with associated galvanized connection trim. Assembly shall be a Reliable Nitrogen Regulating Device. This device is to be used in conjunction with the Reliable Model A-2 Pressure Maintenance Device.

Optional System Accessories

System Control Valve

Preaction system control valve shall be a slow close, [cULus Listed] indicating butterfly type valve with a pre-wired supervisory tamper switch assembly. The valve shall be rated for a working pressure of [300 psi (17,2 bar)]. System control valve shall be for a [2" (50 mm)] Gruvlok AN7722-3A Butterfly Valve or [2½" (65 mm)][3" (80 mm)][4" (100 mm)][6" (150 mm)][8" (200 mm)] - Nibco GD-4765-8N Butterfly Valve.

Detection System

To initiate actuation of the preaction system's deluge valve, a supplemental electric detection system shall be provided [Insert applicable product specification].

Releasing/Control Panel

A releasing/control panel shall be used to operate the preaction system. The releasing/control panel shall be a conventional, microprocessor-controlled panel containing two initiating device circuits, and waterflow and supervisory inputs. Output circuits shall include alarm, waterflow, supervisory, and releasing circuits. Mode of operation shall be set for cross zoned operation, requiring both a detection device input and a low air pressure switch input (sprinkler operation) to energize the solenoid valve, causing the deluge valve to operate. Releasing/control panel shall be equipped with a local tone alarm to annunciate loss of AC power, system trouble, circuit trouble, and low auxiliary DC power supply. Panel shall be [cULus Listed] [FM Approved] and be capable of providing power for compatible detectors and auxiliary devices used. Audible alarms shall be able to be silenced at releasing panel. Auxiliary DC power supply shall consist of (2) 12-volt lead acid batteries of the same ampere-hour rating, providing [60 hours – cULus Listed] [90 hours – FM Approved]. Dry contacts shall be provided for remote annunciation of alarm, trouble, and supervisory panel signals. Main power supply to be a dedicated a 120 VAC / 60 Hz circuit.

Waterflow Alarm Pressure Switch

Alarm pressure switch shall be provided to indicate water flow and provide a water flow alarm. Pressure switch shall be [cULus Listed] and of the bellows activated type enclosed in a weatherproof, NEMA 4/4X rated enclosure incorporating tamper-resistant screws. There shall be two sets of SPDT (Form C) contacts rated at 10.0 A @ 125/250 VAC and 2.5 A @ 6/12/24 VDC. The pressure switch shall have a maximum service pressure rating of 250 psi (17,2 bar) and shall be factory adjusted to operate at a pressure of 4 to 8 psi (0,27 to 0,55 bar) with adjustment up to 20 psi (1,3 bar). Switch shall be provided with a 1/2" NPT male pressure connection. Waterflow alarm pressure switch shall be System Sensor EPS10-2.

Technical Data

Reliable Double Interlock Type D Preaction Systems, with associated trim, size 2" (50 mm), 2½" (65 mm), 76 mm, 3" (80 mm), 4" (100 mm), 165 mm, 6" (150 mm), 8" (200 mm) are rated for use at minimum water supply pressure of 20 psi (1,4 bar) and maximum supply pressure of 250 psi (17,2 bar) for 2" (50mm), 2½" (65mm), 3" (80mm), 76mm and 8" (200mm) valve sizes and 300 psi (20,7 bar) for 4" (100mm), 6" (150mm) and 165mm valve sizes. Water supplied to the inlet of the valve and to the pushrod chamber must be maintained between 40°F (4°C) and 140°F (60°C).

The following list of technical bulletins pertains to valves and devices that may be used in this preaction system:

Deluge Valve	Reliable 518/519
Hydraulic Emergency Station (Model A)	Reliable 506
Solenoid Valve	Reliable 718
Mechanical Sprinkler Alarm	Reliable 612/613
Pressure Maintenance Device	Reliable 254
Nitrogen Regulating Device	Reliable 254
Air Compressor	Gast F-30
Releasing/Control Panel	Potter #5403550
Low Air Pressure Supervisory Switch	System Sensor WFDS51701
Waterflow Pressure Alarm Switch	System Sensor WFDS51701

Model DDX Deluge Valve Description

- Rated working pressure:
 - Valve & System - 250 psi (17.2 bar) for 2" (50mm), 2½" (65mm), 3" (80mm), 76mm and 8" (200mm) valve sizes and 300 psi (20,7 bar) for 4" (100mm), 6" (150mm) and 165mm valve sizes.
- Factory tested to a hydrostatic pressure of 500 psi (34,5 bar) for 2" (50mm), 2½" (65mm), 3" (80mm), 76mm and 8" (200mm) valve sizes and 600 psi (41,7 bar) for 4" (100mm), 6" (150mm) and 165mm valve sizes. (Valve only)
- End and trim connections:
 - ANSI/AWWA C606 grooved inlet and outlet

Nominal Pipe Size	Outlet Diameter	Groove Diameter	Groove Width	Outlet Face to Groove
2" (50 mm)	2.375" (60 mm)	2.250" (57 mm)	11/32" (9,0 mm)	5/8" (16 mm)
2½" (65 mm)	2.875" (73 mm)	2.720" (69 mm)	11/32" (9,0 mm)	5/8" (16 mm)
76 mm	3.000" (76 mm)	2.845" (72 mm)	11/32" (9,0 mm)	5/8" (16 mm)
3" (80 mm)	3.500" (89 mm)	3.344" (85 mm)	11/32" (9,0 mm)	5/8" (16 mm)
4" (100 mm)	4.500" (114 mm)	4.334" (110 mm)	3/8" (9,5 mm)	5/8" (16 mm)
165 mm	6.500" (165 mm)	6.330" (161 mm)	3/8" (9,5 mm)	5/8" (16 mm)
6" (150 mm)	6.625" (168 mm)	6.455" (164 mm)	3/8" (9,5 mm)	5/8" (16 mm)
8" (200 mm)	8.625" (219 mm)	8.441" (214 mm)	7/16" (11 mm)	3/4" (19 mm)

- Threaded openings Per ANSI B 2.1

Flange Dimensions

Flange Type:	Nominal Pipe Size	Bolt Circle Diameter	Bolt Hole Diameter	Flange Outside Diameter	Flange Thickness	Number of Bolts
AMSE B16.5 Class 150	4" (100mm)	7½" (191mm)	¾" (19mm)	9" (229mm)	15/16" (24mm)	8
ISO 7005-2 PN16	4" (100mm)	7¾" (180mm)	¾" (19mm)	9" (229mm)	15/16" (24mm)	8
AMSE B16.5 Class 150	6" (150mm)	9½" (241mm)	7/8" (22mm)	11" (279mm)	15/16" (24mm)	8
ISO 7005-2 PN16	6" (150mm)	9 7/16" (240mm)	29/32" (23mm)	11" (279mm)	15/16" (24mm)	8
AMSE B16.5 Class 150	8" (200mm)	11¾" (298mm)	7/8" (22mm)	13½" (343mm)	1" (25.4mm)	8
ISO 7005-2 PN16	8" (200mm)	11 15/8" (295mm)	29/32" (23mm)	13½" (343mm)	1" (25.4mm)	12

4. Valve Exterior Color:

Valve Size	Color
2" (50 mm)	Black or Red
2½" (65 mm)	Black or Red
76 mm	Red
3" (80 mm)	Black or Red
4" (100 mm)	Black or Red
165 mm	Red
6" (150 mm)	Black or Red
8" (200 mm)	Black or Red

5. Face to face dimensions:

Valve Size:	End Connection:	End to End:
2" (50mm), 2½" (65mm), 76mm & 3" (80mm)	Groove/ Groove	12½" (318mm)
4" (100mm)	Groove/ Groove	14" (356mm)
	Flange/ Groove	16" (406mm)
	Flange/ Flange	16" (406mm)
6" (150mm) & 165mm	Groove/ Groove	16" (406mm)
	Flange/ Groove	19" (483mm)
	Flange/ Flange	19" (483mm)
8" (200mm)	Groove/ Groove	19 7/8" (492mm)
	Flange/ Flange	21¼" (540mm)

6. Valve shipping weight:

Valve Size:	End Connection:	Weight:
2" (50mm), 2½" (65mm), 76mm & 3" (80mm)	Groove/ Groove	34 lbs (15 kg)
4" (100mm)	Groove/ Groove	64 lbs (29 kg)
	Flange/ Groove	79 lbs (36 kg)
	Flange/ Flange	92 lbs (42 kg)
6" (150mm) & 165mm	Groove/ Groove	95 lbs (43 kg)
	Flange/ Groove	122 lbs (56 kg)
	Flange/ Flange	138 lbs (69 kg)
8" (200mm)	Groove/ Groove	148 lbs (67 kg)
	Flange/ Flange	197 lbs (90 kg)

7. Trim shipping weight:

Trim Configuration	2" (50 mm), 2½" (65 mm), 3" (80 mm) & 76 mm	4" (100 mm), 6" (150 mm), 8" (200 mm) & 165 mm
Type D Double Interlock	47 lbs (21 kg)	52 lbs (24 kg)

8. Friction loss (Expressed in equivalent length of Schedule 40 pipe, based on Hazen & Williams formula:

Valve Size:	Equivalent Length:		Cv
	C = 120	C = 100	
2" (50mm)	4.4 ft (1,3 m)	3.1 ft (1,0 m)	101
2½" (65mm)	6.0 ft (1,8 m)	4.3 ft (1,3 m)	236
76mm	7.7 ft (2,3 m)	5.5 ft (1,7 m)	241
3" (80mm)	12.6 ft (3,8 m)	9.0 ft (2,7 m)	254
4" (100mm)	14 ft (4,3 m)	10 ft (3,0 m)	469
165mm	29.4 ft (9,0 m)	20.9 ft (6,4 m)	886
6" (150mm)	29.4 ft (9,0 m)	20.9 ft (6,4 m)	886
8" (200mm)	53.5 ft (16,3 m)	38.1 ft (11,6 m)	1516

9. Installation position: Vertical

Trim Descriptions

The Type D Double Interlock Preaction Trims for the Reliable Model DDX Deluge Valve are arranged for rapid, easy, and compact attachment, and serve as connection points to Reliable Model C Mechanical Alarms and other devices.

The Double Interlock Type D Preaction System trim configurations can be ordered as individual parts, in time-saving segmentally assembled kit forms, or fully assembled to the Model DDX Deluge Valve (with or without a control valve).

Maintenance

Reliable Double Interlock Type D Preaction Systems and associated equipment shall periodically be given a thorough

inspection and test. NFPA 25, Inspection, Testing and Maintenance of Water Based Fire Protection Systems, provides minimum maintenance requirements. System components shall be tested, operated, cleaned, and inspected at least annually, and parts replaced as required.

Type D Double Interlock Preaction Trim

Type D Double Interlock Preaction trim (see Figures 2 and 3) utilizes a normally closed/powered-open solenoid valve for releasing the Deluge Valve. The solenoid valve used in the assembly is available in both a 175 psi (12,1 bar) or 300 psi (20,7 bar) rating.

Note:

In order for the solenoid valve to maintain Reliable's warranty it must remain sealed as it came from the factory. If there are concerns about the valve's internal components, immediate replacement is recommended.

Type D Double Interlock Preaction Trim installation on Model DDX Deluge Valves uses eight tapped openings for trim connections. Each opening and its function are indicated on Fig. 2 or Fig. 3. Using Fig. 2 or Fig. 3 as reference, the recommended trim installation is as follows:

1. Install ½" nipple (#39, Fig. 2 or #42, Fig. 3) in tapped opening marked "TEST." **Note: If interference occurs between the supply gauge and the control valve, the 1/4" plug (#57, Fig. 2 or #57, Fig. 3) in the opening marked "SUPPLY" may be swapped with: the 1/4" nipple (#36, Fig. 2), angle valve (#12, Fig. 2) and**

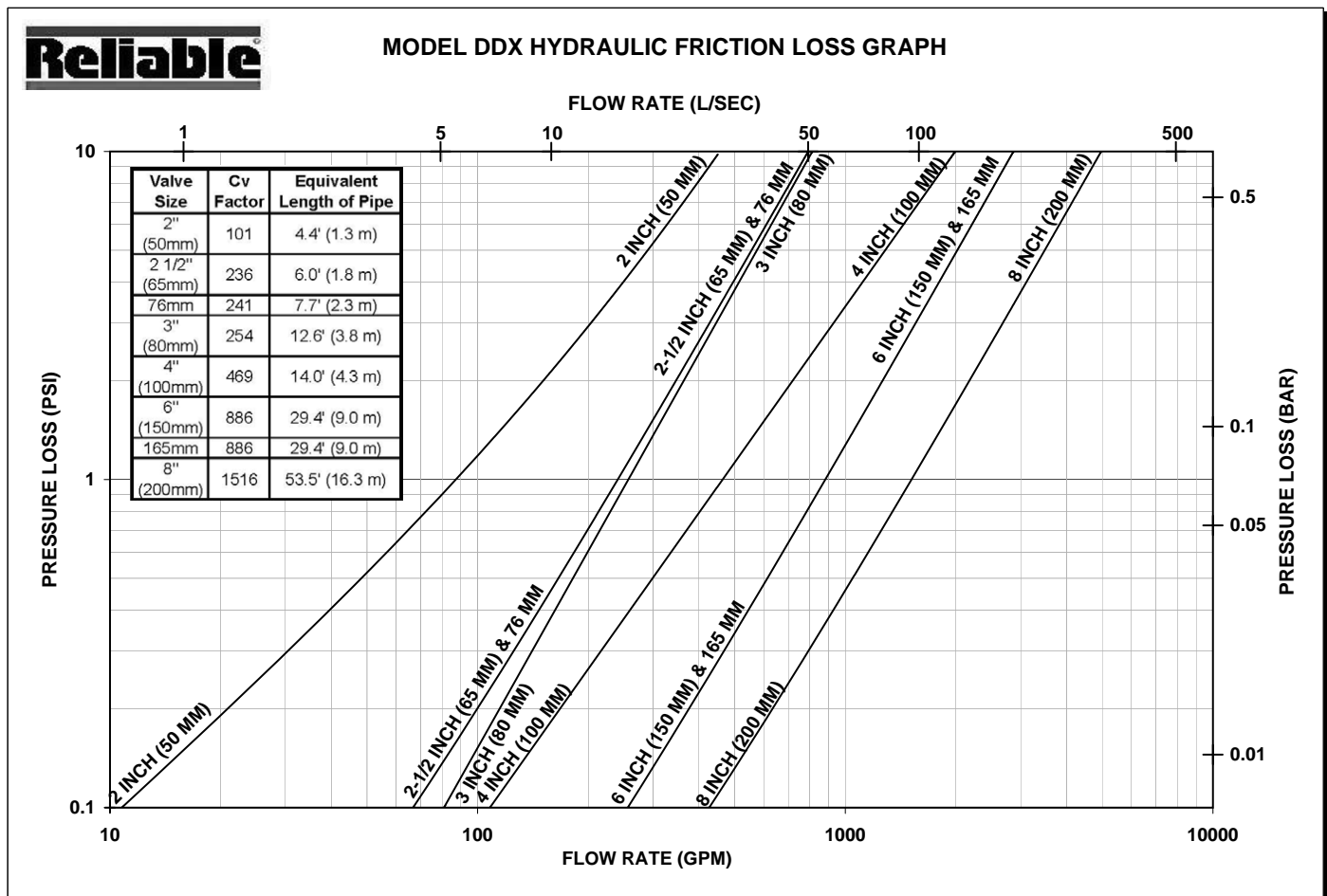


Fig. 6

gauge (#73, Fig. 2) for the 2" (50mm), 2-1/2" (65mm), 76mm and 3" (80mm) valve sizes; 1/4" nipple (#36, Fig. 3), 1/4" elbow (#27, Fig. 3), 1/4" nipple (#37, Fig. 3), 3-way valve (#70, Fig. 3) and the gauge (#72, Fig. 3) for the 4" (100mm), 165mm and 6" (150mm) valve sizes; 1/4" nipple (#37, Fig. 3), 3-way valve (#70, Fig. 3) and the gauge (#72, Fig. 3) for the 8" (200mm) valve size, in the trim installed in the opening marked "TEST".

2. Install 1/2" nipple (#43, Fig. 2 or #38, Fig. 3) in tapped opening marked "ALARM" and connect balance of this trim line.
3. Install 1/4" plug (#57, Fig. 2 or #57, Fig. 3) in tapped opening marked "SUPPLY." **Note: If interference occurs between the supply gauge and the control valve, the 1/4" plug (#57, Fig. 2 or #57, Fig. 3) in the opening marked "SUPPLY" may be swapped with: the 1/4" nipple (#36, Fig. 2), angle valve (#12, Fig. 2) and gauge (#73, Fig. 2) for the 2" (50mm), 2-1/2" (65mm), 76mm and 3" (80mm) valve sizes; 1/4" nipple (#36, Fig. 3), 1/4" elbow (#27, Fig. 3), 1/4" nipple (#37, Fig. 3), 3-way valve (#70, Fig. 3) and the gauge (#72, Fig. 3) for the 4" (100mm), 165mm and 6" (150mm) valve sizes; 1/4" nipple (#37, Fig. 3), 3-way valve (#70, Fig. 3) and the gauge (#72, Fig. 3) for the 8" (200mm) valve size, in the trim installed in the opening marked "TEST".**
4. Install 1/2" nipple (#38, Fig. 2 or #38, Fig. 3) in tapped opening marked "OUT" and connect balance of this trim line.
5. Install 1/4" inline check valve (#18, Fig. 2 or #17, Fig. 3) in tapped opening marked "IN" and connect balance of this trim line. Supply line must be connected to the inlet of the control valve for each Deluge Valve as shown. **Caution: Over tightening check valve can cause a restriction in flow that may prevent the valve from "setting up".**
6. Install 1 1/4" Nipple (#49, Fig. 2) or 2" nipple (#49, Fig. 3) in tapped drain opening and connect balance of this trim line.
7. Install 3/4" x 1/4" reducing bushing (#53, Fig. 2 or #53, Fig. 3) in the lower-most tapped opening at the rear of the Deluge Valve and connect the balance of this trim line.
8. Install 3/4" nipple (#45, Fig. 2 or #44, Fig. 3) in the upper-most tapped opening at the rear of the Deluge Valve and connect the balance of this trim line.

Resetting Model DDX Double Interlock Type D Preaction Systems

Refer to Figs. 2, 3, 7, 8 & 9

1. Close the valve controlling water supply (Fig. 9) to the Deluge Valve and close off the 1/4" globe valve controlling system air pressure in the Model A-2 Pressure Maintenance Device.
2. Close the pushrod chamber supply valve, valve A (Fig. 9).
3. Open main drain valve B (Fig. 9) and drain system.
4. Open all drain valves and vents at low points throughout the system, closing them when flow of water has stopped. Open valve D (Fig. 9).

Note: The above steps accomplish the relieving of pressure in the pushrod chamber of the Deluge Valve.

5. With valve G (Fig. 9) open, push in the plunger of ball drip valve E (Fig. 9), forcing the ball from its seat, and drain the alarm line.
6. With the Model B Manual Emergency Station, valve D (Fig. 9) open, push in and rotate the Deluge Valve's external reset knob (#14, Fig. 7 or #38, Fig. 8) clockwise, until you hear a distinct noise indicating that the clapper has reset. **Note: The reset knob can be rotated only while pressure in the pushrod chamber is vented to atmospheric conditions (0 psig).**
7. Inspect and replace any portion of the detection system and/or sprinkler system subjected to fire conditions.
8. Open valve A (Fig. 9) and allow water to fill the push rod chamber. Close valve D (Fig. 9).
9. Bleed all air from the actuation piping by energizing the solenoid valve. This is done by operating a detector or an electric manual emergency station. While water is flowing through the solenoid valve, cause it to close. **Note: All detection devices must be reset before the Releasing Control Panel can be reset.**
10. Close valve G (Fig. 9). Open the 1/4" globe valve in the Model A-2 Pressure Maintenance Device to restore air pressure in the sprinkler system.
11. Open valve G (Fig. 9). Verify the main drain valve, valve B is open. Open slightly the main valve controlling water supply (Fig. 9) to the Model DDX Deluge Valve, closing drain valve B (Fig. 9) when water flows. Observe if water leaks through the ball drip valve, valve E (Fig. 9), into the drip cup, J (Fig. 9). If no leak occurs, the Deluge Valve's clapper is sealed. Open slowly and verify the main valve controlling water supply is fully opened and properly monitored.
12. Verify that valve A (Fig. 9) and valve G (Fig. 9) are open. **Valve A (Fig. 9) must remain open when the Deluge Valve has been reset, to maintain water pressure in the push rod chamber.**
13. Verify that the Model B Manual Emergency Station, valve D (Fig. 9) is secured in the OFF position with the appropriate nylon tie (#56, Fig. 2 OR #56 Fig. 3), see Fig. 4.

Inspection and Testing

Refer to Figs. 2, 3, 7, 8 & 9.

1. **Water supply** — be sure the valves controlling water supply to the Deluge Valve are opened fully and properly monitored.
2. **Alarm line**—be sure that valve G (Fig. 9) is opened and remains in this position.
3. **Other trimming valves**—check that valve A (Fig. 9) is open, as well as all of the pressure gauge's 1/4" 3-way valves. Valves D, F, & H (Fig. 9) should be closed.
4. **Ball drip valve E (Fig. 9)**—Make sure valve G (Fig. 9) is open. Push in on the plunger to be sure ball check is off its seat. If no water appears, the Deluge Valve's water seat is tight. Inspect the bleed hole (see Fig. 7 of Fig. 8) on the underside of the push rod chamber for leakage.

5. **System pneumatic pressure** — check that system air pressure is between 7 and 10 psi (0,5 and 0,7 bar). Check the Model A-2 Pressure Maintenance Device for leakage and proper pressure.
6. **Releasing device** — check outlet of the releasing device (i.e., solenoid valve, or the hydraulic manual emergency station, valve D (Fig. 9)) for leakage. Also verify that tubing drain lines from releasing devices are not pinched or crushed which could prevent proper releasing of the Deluge Valve.
7. **Testing alarms** — Make sure valve G (Fig. 9) is open. Open valve F (Fig. 9) permitting water from the supply to flow to the electric sprinkler alarm switch and to the mechanical sprinkler alarm (water motor). After testing, close this valve securely. Push in on the plunger of ball drip valve E (Fig. 9) until all of the water has drained from the alarm line.
8. **Operation test** — Open the Model B Manual Emergency Station, valve D (Fig. 9), or operate by electrical actuation.
Note: An operational test will cause the Deluge Valve to open and flow water into the sprinkler system.
9. Secure the Model B Manual Emergency Station, valve D (Fig. 9), in the OFF position with nylon tie (#56, Fig. 2 or #56, Fig. 3), see Fig. 4, after Deluge Valve is reset.

Testing Detection System Without Operating Deluge Valve

Refer to Figs. 2, 3 & 9.

1. Close the valve controlling water supply to Deluge Valve and open the main drain valve B (Fig. 9).
2. Verify that valve A (Fig. 9) is open, allowing water to enter the push rod chamber.
3. Operate detection system — energize the solenoid valve by operating both a detector and the low air pressure switch.
4. Operation of the detection system must result in a sudden drop of water pressure in the push rod chamber.
5. Reset detection system — reverse operations performed in step three above and then proceed according to the directions listed in the “Resetting Model DDX Double Interlock Type D Preaction Systems” section of this bulletin for resetting the Deluge Valve.

Draining Excess/Condensate Water From System

Refer to Fig. 9

1. Close the main valve controlling water supply to Deluge Valve. Also close valve A and open main drain valve B.
2. Open condensate drain valve H until all water has drained. Close valve H. **Note:** Be sure not to keep valve H open for an extended period of time because that will cause enough system air to bleed off of the system thereby causing an undesirable activation of a trouble-annunciating device.
3. Close main drain valve B. If system contains pressurized air, allow air pressure to come back up to specification. Open valve A first, and then open the main valve controlling the water supply to the Deluge Valve.

Maintenance Procedures - Model DDX Deluge Valve

Refer to Figs. 2, 3, 7, 8 & 9.

1. **Mechanical sprinkler alarm (water motor—not shown) not operating:** This is most likely caused by a clogged screen in the strainer of the water motor. Proceed as follows: Remove plug from the strainer. Remove and clean the screen. Replace the screen and the plug, and then tighten securely (Ref. Bulletin 613).
2. **Leakage out of the ball drip valve E (Fig. 9).**
 - a. **Water leakage due to water column in deluge systems:**
This condition can be caused by leakage past the system side of the Model DDX Deluge Valve's seal assembly (#8, Fig. 7 or #5, Fig. 8). Be sure that this surface is free of any type of debris. To eliminate leakage due to water column in a deluge system, refer to the section in this bulletin marked “Draining Excess/Condensate Water From System”. If the problem continues proceed to the following section.
 - b. **Leakage, air or water from the ball drip valve, E (Fig. 9):**
If system air is leaking out the ball drip valve, the problem is either damage to the airside of the Model DDX Deluge Valve's seal assembly (#8, Fig. 7 or #5, Fig. 8), seat (#29, Fig. 7 or #2, Fig. 8), the upper seat o-ring (#23, Fig. 7 or #11, Fig. 8) or, on the 8” (200 mm) valve size only, the mounting ring o-ring (#2, Fig. 7). If supply water is leaking out the ball drip valve, the problem could be caused by damage to the Model DDX Deluge Valve's seal assembly (#8, Fig. 7 or #5, Fig. 8), seat (#29, Fig. 7 or #2, Fig. 8), or lower seat O-ring (#24, Fig. 7 or #11, Fig. 8). The following section provides instructions to correct both conditions:
 - A) Shut down the valve controlling the water supply to the Deluge Valve and open the 1¼” main drain valve on the 2” (50mm), 2½” (65mm), 76mm and 3” (80mm) valve sizes or the 2” main drain valve on the 4” (100mm), 165mm, 6” (150mm) and 8” (200mm) valve sizes, valve B (Fig. 9). Open the water column drain valve H (Fig. 9). Close the push-rod chamber supply valve A (Fig. 9) and open the Model B Manual Emergency Station, valve D (Fig. 9).
 - B) Remove the Deluge Valve's front (handhold) cover (#7, Fig. 7 or #4, Fig. 8) and inspect the seat (#29, Fig. 7 or #2, Fig. 8), clapper (#6, Fig. 7 or #3, Fig. 8), and seal assembly (#8, Fig. 7 or #5, Fig. 8) for damage. If inspection indicates damage to the seal assembly (#8, Fig. 7 or #5, Fig. 8), replace as follows:
For Valve Sizes: 2” (50mm), 2½” (65mm), 76mm, 3” (80mm), 8” (200mm) and 4” (100mm), 6” (150mm) & 165mm with Screw-In Seat only, Refer to Fig. 2, Fig. 3 & Fig. 7:
Remove the bumpstop nuts (#10, Fig. 7) and remove the seal assembly (#8, Fig. 7). Install a new seal assembly (#8, Fig. 7) and thread

MODEL DDX VALVE (SCREW-IN SEAT CONFIGURATION)

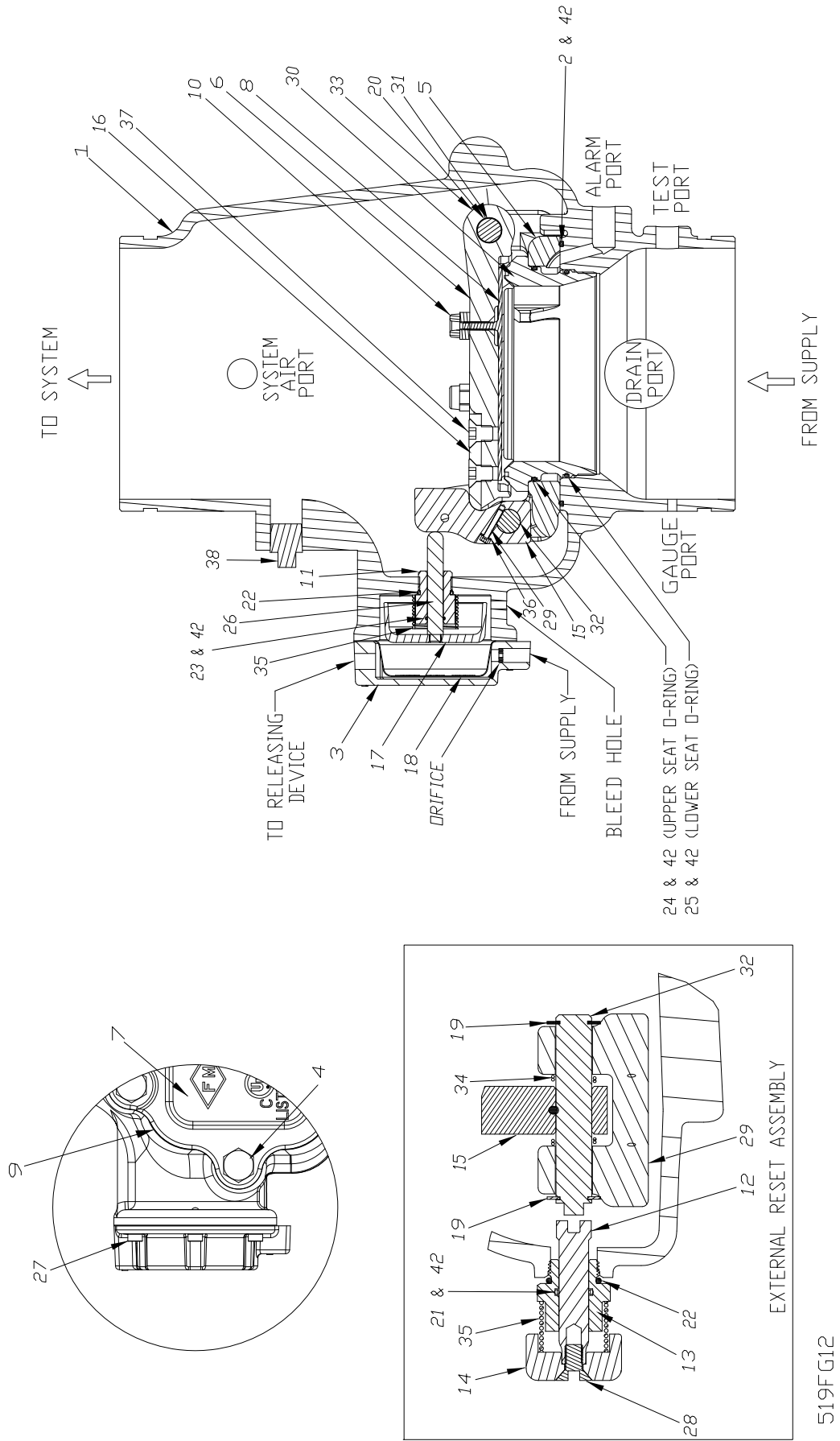


Fig.7

Model DDX (Screw-In Seat Configuration) Deluge Valves Parts List (Refer to Fig. 7)

Item No.	Part No.								Part Description	QTY.	Material
	2" (50mm)	2½" (65mm)	76mm	3" (80mm)	4" (100mm)	165mm	6" (150mm)	8" (200mm)			
1	91006011	91006012	91006023	91006013	91006005	91006027	91006007	91006028	Valve Body Groove/Groove	1	Ductile Iron 65-45-12
	N/A	N/A	N/A	N/A	91006045	N/A	91006067	N/A	Valve Body Flange/Groove		
	N/A	N/A	N/A	N/A	91006035	N/A	91006037	91006039	Valve Body Flange/Flange		
2	N/A	N/A	N/A	N/A	N/A	N/A		95406414	O-ring (Mounting Ring)	1	Buna-N
3	71040416								Pushrod Cover Assembly	1	Ductile Iron 65-45-12 & Brass C360000
4	91106123			N/A		N/A		N/A	Hex Bolt ½"-13 x 1¼"	6	Zinc Plated Steel
	N/A			95606107		N/A		N/A	Hex Bolt ½"-13 x 1½"	6	
	N/A			N/A		91106006		N/A	Hex Bolt ⅝"-11 x 1¾"	6	
	N/A			N/A		N/A		95606110	Hex Bolt ⅝"-11 x 2"	8	
5	91306013			91306014		91306016		91306018	Mounting Ring	1	Stainless Steel CF8 or CF8M
6	91916013			91916014		91916016		91916008	Clapper	1	Stainless Steel CF8 or CF8M
7	92116063			92116064		92116065	92116066	92116068	Access Cover	1	Ductile Iron 65-45-12
8	93416003			93416014		93416016		93416008	Seal Assembly	1	Stainless Steel 304 & EPDM
9	93706003			93706004		93706006		93706008	Access Cover Gasket	1	Buna-N or Neoprene
10	93722000			93722000		N/A		N/A	Bumpstop Assembly	1	Stainless Steel UNS S31600 & EPDM
	N/A			N/A		93722000		N/A		2	
	N/A			N/A		N/A		93722000		3	
11	93916006								Pushrod Guide	1	Acetal
12	93916066								Reset Shaft	1	Brass UNS C36000
13	94106066								Reset Housing	1	Brass UNS C36000
14	94356006								Reset Knob	1	Aluminum 6061
15	94506003			94506004		94506016		94506008	Lever	1	Stainless Steel UNS S17400
16	95006414			94006412		95006410		95006410	Striker	1	Aluminum Bronze C95400
17	95106006								Piston	1	Stainless Steel CF8M
18	95276006								Diaphragm	1	EPDM & Polyester
19	95306267			N/A		N/A		N/A	Retaining Ring, ⅜" Shaft, Lever Pin	2	Stainless Steel 15-7 or 17-7
	N/A			95306267		N/A		N/A	Retaining Ring, ½" Shaft, Lever Pin		
	N/A			N/A		95306269		N/A	Retaining Ring, ⅝" Shaft, Lever Pin		
	N/A			N/A		N/A		95316408	Retaining Ring, ¾" Shaft, Lever Pin		
20	95306267			N/A		N/A		N/A	Retaining Ring, ⅜" Shaft, Hinge Pin	2	Stainless Steel 15-7 or 17-7
	N/A			95306267		95306267		N/A	Retaining Ring, ½" Shaft, Hinge Pin		
	N/A			N/A		N/A		95316408	Retaining Ring, ¾" Shaft, Hinge Pin		
21	95406007								O-Ring, Reset Housing ID	1	Buna-N
22	95406024								O-Ring, Reset Housing & Pushrod Guide OD	2	Buna-N
23	95406407								O-Ring, Pushrod Guide ID	1	Buna-N
24	95406410			95406409		95436126		95406413	O-Ring, Upper Seat	1	Buna-N
25	95406411			95406420		95446226		95406412	O-Ring, Lower Seat	1	Buna-N
26	95506006								Pushrod	1	Stainless Steel UNS S30300
27	95606114								Socket Head Screw, ¼"-20 x ⅝"	6	Steel
28	95606127								Flat Head Socket Cap Screw ⅝"-16 x ¾"	1	Steel
29	95606133			N/A		N/A		N/A	Socket Head Screw #6-32 x ½"	1	Stainless Steel 18-8
	N/A			95606130		95606130		95606130	Socket Head Screw #10-32 x 1"		Stainless Steel UNS S31600
30	96016003			96016014		96016016		96016008	Seat	1	Stainless Steel CF8M
31	96206003			N/A		N/A		N/A	Hinge Pin	1	Stainless Steel UNS S30400
	N/A			96216086		96216068		96206008			Stainless Steel UNS S21800
32	96216003			N/A		N/A		N/A	Lever Pin	1	Stainless Steel UNS S17400
	N/A			96216044		96216047		96216008			Stainless Steel UNS S21800

Model DDX (Screw-In Seat Configuration) Deluge Valves Parts List (Refer to Fig. 7)

(Continued)

Item No.	Part No.								Part Description	QTY.	Material
	2" (50mm)	2½" (65mm)	76mm	3" (80mm)	4" (100mm)	165mm	6" (150mm)	8" (200mm)			
33		96310003			96906904	96906904		96310008	Clapper Spacer	2	Teflon or Acetal
34		96406003			N/A	N/A		N/A	Lever Spring	1	Stainless Steel UNS S30400
		N/A			96406004	96406005		96406008			Stainless Steel UNS S31600
35					96406906				Piston/ Reset Spring	2	Stainless Steel UNS S31600
36		96906112			N/A	N/A		N/A	Spring Lock Washer, #6	1	Stainless Steel 18-8
		N/A			96906111	96906111		96906111	Spring Lock Washer, #10		Stainless Steel UNS S31600
37		95606140			N/A	N/A		N/A	Flat Head Socket Cap Screw	2	Stainless Steel 18-8
		N/A			95606139	N/A		N/A	¼"-20 x ½"		Stainless Steel UNS S31600
		N/A			N/A	N/A		95606135	Flat Head Socket Cap Screw ½"-13 x ¾"		Stainless Steel UNS S31600
38					98604402				Plug, ½" NPT	1	Steel
39					94616921				Knob Caution Label (Not Shown)	1	Polystyrene
40					91556922				Ball Chain, 1/8" (Not Shown) (Length is in Inches)	6	Nickel Plated Brass
41					91556923				Clamping Link, Ball Chain (Not Shown)	1	
42					699993406				O-Ring Grease, Dupont™ Krytox® GPL-205	A/R	Krytox®

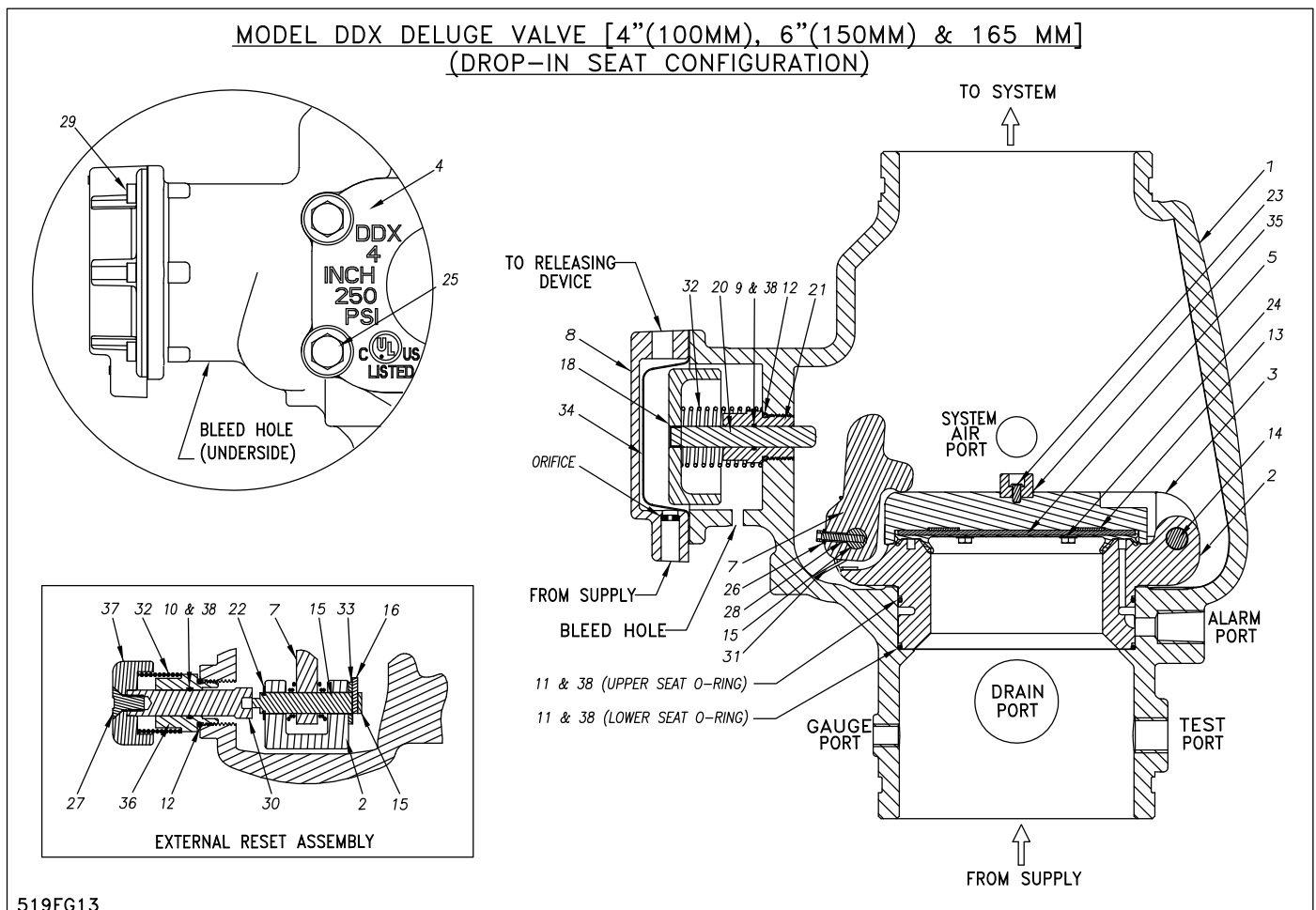


Fig. 8

Model DDX (Drop-In Seat Configuration) Deluge Valves Parts List (Refer to Fig. 8)

Item No.	Part No.			Part Description	QTY.	Material
	4" (100mm)	165mm	6" (150mm)			
1	91006005	91006027	91006007	Valve Body	1	Ductile Iron 65-45-12
2	96016004	96016006		Seat	1	Brass UNS C86300
3	91916004	91916006		Clapper	1	Brass UNS C86300
4	92116064	92116065	92116066	Access Cover	1	Ductile Iron 65-45-12
5	93416004	93416006		Seal Assembly	1	Stainless Steel 304 & EPDM
6	93706004	93706006		Access Cover Gasket	1	Buna-N or Neoprene
7	94506004	94506006		Lever	1	Stainless Steel UNS S17400
8	71040416			Pushrod Cover Assembly	1	Ductile Iron 65-45-12 & Brass UNS C36000
9	95406407			O-Ring, Pushrod Guide ID	1	Buna-N
10	95406007			O-Ring, Reset Housing ID	1	Buna-N
11	95406006	95406016		O-Ring, Upper Seat	2	Buna-N
				O-Ring, Lower Seat		Buna-N
12	95406024			O-Ring, Reset Housing OD	2	Buna-N
13	93706001	93706002		Clapper Gasket	1	Buna-N or Neoprene
14	96216086			Hinge Pin	1	Stainless Steel UNS S21800
15	96216046			Lever Pin	1	Stainless Steel UNS S44000
16	95606131			Threaded Stud, #10-32 x 3/4"	1	Stainless Steel 18-8
17	96216066			Locking Pin (not shown)	2	Stainless Steel UNS S44000
18	95106006			Piston	1	Stainless Steel CF8M
19	95200038			Socket Plug 3/8" - 18 NPT (not shown)	2	Steel
20	95506006			Pushrod	1	Stainless Steel UNS S30300
21	93916006			Pushrod Guide	1	Acetal
22	95306267			Retaining Ring, 1/2" Shaft	3	Stainless Steel 15-7 or 17-7
23	95606128			Button Head Screw #10-32 x 3/8"	1	
24	95606129			Hex Washer Head Screw #10-32 x 3/8"	4	Stainless Steel 18-8
25	95606107	N/A		Hex Cap Screw 1/2"-13 x 1 1/2"	6	Zinc Plated Steel
	N/A	91106006		Hex Cap Screw 5/8"-11 x 1 3/4"		
26	96906111			Spring Lock Washer, #10	1	Stainless Steel UNS S31600
27	95606127			Flat Head Socket Cap Screw 3/8"-16 x 3/4"	1	Steel
28	95606130			Socket Head Screw #10-32 x 1"	1	Stainless Steel UNS S31600
29	95606136			Socket Head Screw, 1/4"-20 x 5/8"	6	Steel
30	93916066			Reset Shaft	1	Brass UNS C36000
31	96406004			Lever Spring	1	Stainless Steel UNS S30400
32	96406906			Piston/ Reset Spring	2	Stainless Steel UNS S31600
33	96906904			Clapper Spacer	3	Teflon
34	95276006			Diaphragm	1	EPDM & Polyester
35	92306006			Bumper Disc	1	SBR Rubber
36	94106066			Reset Housing	1	Brass UNS C36000
37	94356006			Reset Knob	1	Aluminum 6061
38	6999993406			O-Ring Grease, Dupont™ Krytox® GPL-205	A/R	Krytox®
39	94616921			Knob Caution Label (Not Shown)	1	Polystyrene
40	91556922			Ball Chain, 1/8" (Not Shown) (Length is in Inches)	6	Nickel Plated Brass
41	91556923			Clamping Link, Ball Chain (Not Shown)	1	

the bumpstop nuts (#10, Fig. 7) onto the threaded studs of the seal assembly (#8, Fig. 7) and tighten finger tight plus ¼ to ½ turn. If inspection indicates damage to the clapper (#6, Fig. 7) only, then the clapper subassembly can be removed as follows:

At the rear of the valve, disconnect the water column drain trim section starting with the elbow connector (#22, Fig. 2 or #21, Fig. 3). Then remove the ¼" globe valve (#33, Fig. 2 or #32, Fig. 3), followed by the ¾"x¼" reducing bushing (#53, Fig. 2 or #53, Fig. 3). Remove the retaining ring (condensate drain side for 2" (50mm), 2½" (65mm), 3" (80mm), 76mm and 8" (200mm) valve sizes or hand hole cover side for 4" (100mm), 6" (150mm) and 165mm valve sizes) from the clapper hinge pin (#30, Fig. 7) and push this pin through the hand hole opening for 2" (50mm), 2½" (65mm), 3" (80mm), 76mm and 8" (200mm) valve sizes or condensate drain side for 4" (100mm), 6" (150mm) and 165mm valve sizes and remove the clapper subassembly. Replace the seal assembly as described previously. Inspect the clapper (#6, Fig. 7) visually before reinstalling. Reinstall in the reverse order making sure the clapper spacers are in their proper position. If the seat (#29, Fig. 7) is damaged or it is suspected that the leakage is through the lower O-ring (#24, Fig. 7), the seat-clapper subassembly is easily removed as a unit as follows:

Using Reliable P/N 6881603000 Seat Wrench for 2" (50mm), 2½" (65mm), 76mm and 3" (80mm) valve sizes, Reliable P/N 6881604000 for 4" (100mm) valve size, Reliable P/N 6881606000 for the 6" (150mm) and 165mm valve sizes or Reliable P/N 6881608000 Seat Wrench for 8" (200mm) valve size, remove the seat by unscrewing. This will loosen the seat-clapper-mounting ring subassembly. Reach into the valve and grasp the seat and remove it from the valve. Then remove the clapper-mounting ring subassembly from the valve. Visually examine all components of the seat-clapper-mounting ring subassembly replacing any component that appears damaged. New O-rings (#23 & #24, Fig. 7 and #2, Fig. 7 (8" (200mm) valve size only)) should always be used for reassembly.

For Valve Sizes: 4" (100mm), 165mm, 6" (150mm) with Drop-In Seat Configuration only, Refer to Fig. 3 and Fig. 8:

At the rear of the valve, disconnect the water column drain trim section starting with the elbow connector (#21, Fig. 3). Then remove the ¼" globe valve (#32, Fig. 3), followed by the ¾"x¼" reducing bushing (#53, Fig. 3). Remove the retaining ring (hand hole cover side) from the clapper hinge pin (#14, Fig. 8) and push this pin through the hand hole condensate drain port and remove the

clapper subassembly. Remove the four retaining screws (#24, Fig. 8) holding the seal faceplate assembly (#5, Fig. 8). Inspect the clapper (#3, Fig. 8) visually before installing. Apply a small amount of silicone based lubricant to the four retaining screws. Install a new seal faceplate assembly. Torque the retaining screws to approximately 40 inch-pounds and reassemble. If the seat (#2, Fig. 8) is damaged or it is suspected that the leakage is through the lower o-ring (#11, Fig. 8), the seat-clapper subassembly is easily removed as a unit as follows:

Using a 5/16" Allen wrench, remove the two 3/8" NPT pipe plugs (#19, (not shown) Fig. 8) located on the side chamber side of the Model DDX deluge valve. The seat-clapper subassembly is retained by two locking pins (#17, (not shown) Fig. 8). The centers of these pins have a ¼"-20 threaded hole. Remove the two locking pins by engaging them with a ¼"-20 screw and pulling them out (the two locking pins are not externally threaded, so turning them with the attached ¼"-20 screw or threaded rod is not recommended. A proven method is to use ¼"-20 threaded rod with a locknut on the unassembled end. Grab hold of the locknut with a pliers or vise-grips and tap the pliers or vise-grips in the direction away from the Deluge Valve. Doing so should pull the locking pins out of the Deluge Valve. With the clapper (#3, Fig. 8) in the closed position (not latched), dislodge the clapper-seat subassembly from the valve body by inserting two slotted screwdrivers under the lever and clapper mounting ears and pry up until the clapper-seat subassembly is free from its bore. Reach into the valve and grasp the clapper-seat subassembly from the sides. Making sure the clapper is in the closed position (see Fig. 1), lift up and rotate the clapper-seat sub assembly clockwise 90 degrees so that the lever side of the assembly is facing up towards the outlet of the deluge valve. Next, rotate the clapper-seat sub assembly 90 degrees about the centerline of the valve so that the clapper is facing the hand hole opening and the lever is still facing the outlet of the deluge valve. Then rotate the clapper-seat sub assembly 90 degrees, so that the clapper is now facing the outlet of the deluge valve and the lever is now facing the back of the valve. Pull the clapper-seat sub assembly out through the hand hole opening by the hinge pin side. Rotating the seat-clapper subassembly up as it is being removed will help it slide out more easily since the lever will prohibit it from sliding straight out. Visually examine all components of the clapper-seat subassembly replacing any component that appears damaged. New o-rings (#11, Fig. 8) should always be used for reassembly.

Reassembly:

For Valve Sizes: 2" (50mm), 2½" (65mm), 76mm, 3" (80mm), 8" (200mm) and 4" (100mm), 6" (150mm) & 165mm with Screw-In Seat Configuration only, Refer to Fig. 7:

Clean the bore of the valve body. Lubricate the bore with O-ring grease. Lubricate and install the O-rings (#23 & #24, Fig. 8) onto the seat. Lubricate and install the mounting ring o-ring (#2, Fig. 7) into the body (8" (200mm) valve size only). Insert the clapper-mounting ring subassembly into the handhold opening of the Deluge Valve using caution to not damage or dislodge the mounting ring o-ring (#2, Fig. 7)(8" (200mm) valve size only). Align the mounting ring so that the Lever (#15, Fig. 7) is near the pushrod (#25, Fig. 7) and the mounting ring (#5, Fig. 7) "ears" are between the tabs of the valve body (#1, Fig. 7). Insert the seat (#29, Fig. 7) into the valve body (#1, Fig. 7) and through the clapper-mounting ring subassembly. Start to tread the seat (#29, Fig. 7) into the body by hand, then tighten the seat (#29, Fig. 7) with Reliable P/N 6881603000 Seat Wrench for 2" (50mm), 2½" (65mm), 76mm and 3" (80mm) valve sizes, Reliable P/N 6881604000 Seat Wrench for 4" (100mm) valve size, Reliable P/N 6881060000 Seat Wrench for 6" (150mm and 165mm valve sizes or Reliable P/N 6881608000 Seat Wrench for 8" (200mm) valve size until it bottoms out on the mounting ring (#5, Fig. 7). Verify that the seat-clapper-mounting ring subassembly is in the fully down position between the tabs of the body, and check to see that the lever (#15, Fig. 7) lines up with the push rod (#25, Fig. 7). Loosen and reassemble if necessary. Reassemble the handhold cover (#7, Fig. 7) and set up the Model DDX Deluge Valve as per the section "Resetting Model DDX Double Interlock Type D Praction Systems."

For Valve Sizes: 4" (100mm), 165mm, 6" (150mm) with Drop-In Seat Configuration only, Refer to Fig. 8:

It is likely that the lower seat o-ring (#11, Fig. 8) has remained at the bottom of the Deluge Valve body's bore. Discard this o-ring and clean the bore. Lubricate the bore with o-ring grease and place the lower o-ring on the step at the bottom of the bore, verifying that it is in full contact with the bore. Lubricate the bottom step and upper o-ring (#11, Fig. 8) of the refurbished clapper-seat subassembly. Insert the clapper-seat sub assembly into the hand hole opening, lever (#7, Fig. 8) first and rotating the clapper-seat subassembly until the lever faces the outlet of the deluge valve. Next rotate the clapper-seat subassembly 90 degrees about the center axis of the valve until the bottom of the clapper-seat sub assembly faces the pushrod (#20, Fig. 8). Then rotate the clapper-seat subassembly 90 degrees counterclockwise so that the

clapper (#3, Fig. 8) is facing the outlet of the deluge valve and the lever (#7, Fig. 8) is facing the pushrod (#20, Fig. 8). Once the clapper seat subassembly is in this position simply slide the assembly into the bore of the valve, making sure it is straight to avoid binding of the seat in the bore. Slightly twisting the assembly will assist in getting the clapper-seat subassembly properly seated. Once it is verified that the clapper-seat sub assembly is in the fully down position and the lever (#7, Fig. 8) is aligned with the pushrod (#20, Fig. 8), clean and lubricate the two locking pins (#17, (not shown) Fig. 8) with o-ring lubricant. Slide the two locking pins into the deluge valve body to lock the seat in place. Slightly twisting and pressing down on the clapper-seat subassembly will help the pins to slide in more easily. Then reinstall the 3/8" NPT pipe plugs (#19, (not shown) Fig. 8). Reassemble the hand hole cover (#4, Fig. 8) and set up the Model DDX Deluge Valve as per the section "Resetting Model DDX Double Interlock Type D Praction Systems".

3. Leakage out of the push rod chamber vent hole:

A small bleed hole is located on the underside of the push rod chamber (see Fig. 7 or Fig. 8). If there is air or water leakage coming out of this hole, do the following:

- Shut down the valve controlling water supply to the Deluge Valve. Relieve the inlet pressure by opening the 1¼" main drain valve on the 2" (50mm), 2½" (65mm), 76mm and 3" (80mm) valve sizes or the 2" main drain valve on the 4" (100mm), 165mm, 6" (150mm) and 8" (200mm) valve sizes, valve B (Fig. 9). Close the valve A (Fig. 9) that supplies water to the push rod chamber, and open the Model B Manual Emergency Station, valve D (Fig. 9).
- Remove the trim at the unions nearest to the push rod chamber cover (#3, Fig. 9).
- Take the push rod chamber cover (#3, Fig. 7 or #8, Fig. 8) off by removing the six retaining screws (#26, Fig. 7 or #29, Fig. 8).

CONDITION ONE (Water coming out of the bleed hole):

Water coming out of the bleed hole is caused by a leaking diaphragm (#18, Fig. 7 or #34, Fig. 8). Visually inspect the push rod chamber cover (#3, Fig. 7 or #8, Fig. 8), piston (#17, Fig. 7 or #18, Fig. 8) and valve bore (#1, Fig. 7 or #1, Fig. 8) to determine what could have damaged the diaphragm and correct. Install a new diaphragm. **NOTE: The diaphragm has two different surfaces: it is not bi-directional. It will fail if installed backwards!** Roll the diaphragm so that the smooth surface (the pressure side) conforms to the inside of the push rod chamber cover and reassemble the six retaining screws (#26, Fig. 7 or #29, Fig. 8) with an installation torque of 15 foot-pounds. Set up the Model DDX Deluge Valve as per the section "Resetting Model DDX Double Interlock Type D Praction Systems."

CONDITION TWO (System Air coming out of the bleed hole):

System air coming out of the bleed hole is caused by a defective O-ring assembled to the push rod guide (#11, Fig. 7 or #9, Fig. 8). Remove the piston-push rod subassembly, push rod spring (#34, Fig. 7 or #32, Fig. 8), and push rod guide (#11, Fig. 7 or #21, Fig. 8). Verify by hand turning, that the push rod cannot be unscrewed from the piston. Replace all O-rings and the push rod guide (#21, #22 & #11, Fig. 7 or #9, #12 & #21, Fig. 8). The correct installation torque for the pushrod guide is 35 inch-pounds. **CAUTION: Do not over tighten the push rod guide.** Reassemble

the components that were initially removed. Reinstall the diaphragm (#18, Fig. 7 or #34, Fig. 8) if it appears to be in good shape, otherwise, replace it also. **NOTE: The diaphragm has two different surfaces; it is not bi-directional. It will fail if installed backwards!** Roll the diaphragm so that the smooth surface (the pressure side) conforms to the inside of the push rod chamber cover and reassemble the six retaining screws (#26, Fig. 7 or #29, Fig. 8) with an installation torque of 15 foot-pounds. Set up the Model DDX Deluge Valve as per the section "Resetting Model DDX Double Interlock Type D Preaction Systems."

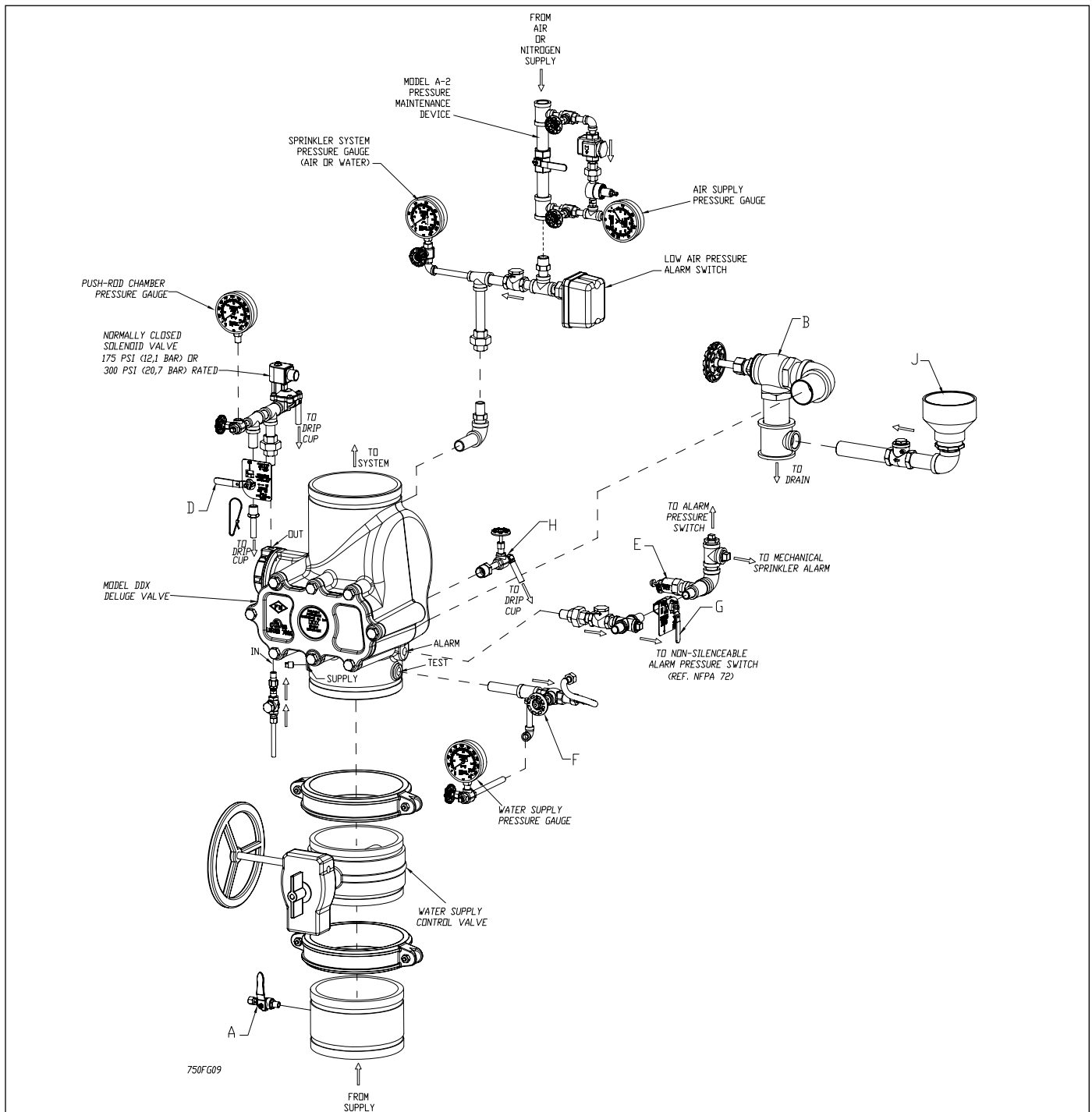
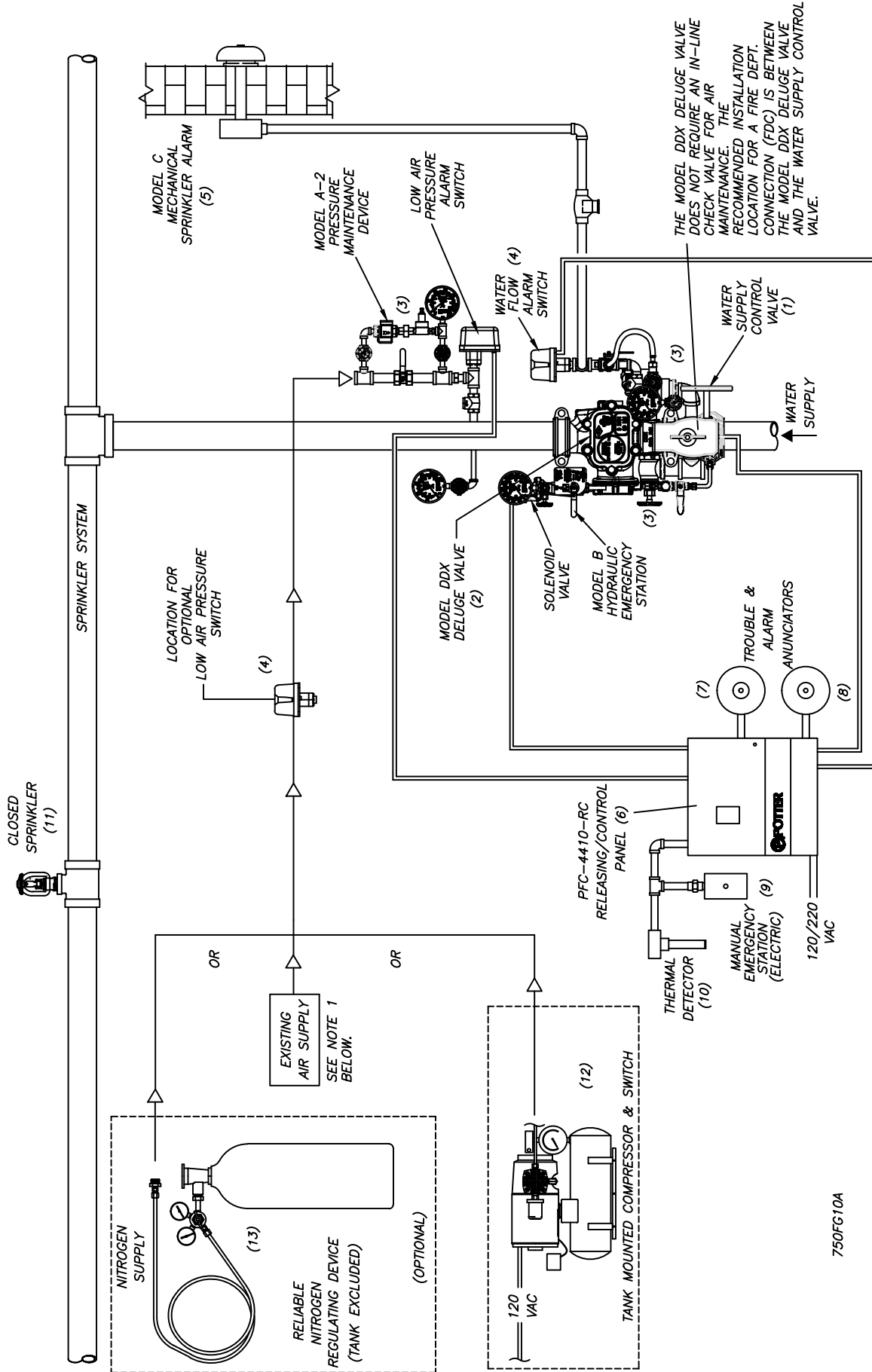


Fig.9

TYPE D DOUBLE INTERLOCK PREACTION SYSTEM COMPONENTS



NOTE 1: THE EXISTING AIR SUPPLY MUST INCORPORATE A TANK. DO NOT USE TANK-LESS OR RISER-MOUNT AIR COMPRESSORS WITH THE TYPE D DOUBLE INTERLOCK PREACTION SYSTEM AS THESE ARE NOT COMPATIBLE WITH THE MODEL A-2 PRESSURE MAINTENANCE DEVICE.

Fig. 10

Ordering Information

Specify:

- **Valve Model & Size** —

Valve Part Numbers			
Valve Size & End Connection	Flange Type	Color	Reliable Part Number
2" (50mm) Grv/Grv	N/A	Black	6103022000
		Red	6103022001
2½" (65mm) Grv/Grv	N/A	Black	6103022500
		Red	6103022501
3" (80mm) Grv/Grv	N/A	Black	6103030000
		Red	6103030001
76mm Grv/Grv	N/A	Red	6103027600
4" (100mm) Grv/Grv	N/A	Black	6103040026
		Red	6103040030
4" (100mm) Flg/Grv	ASME Class 150	Black	6103040044
	ASME Class 150	Red	6103040046
	ISO PN16	Red	6103040048
4" (100mm) Flg/Flg	ASME Class 150	Black	6103040045
	ASME Class 150	Red	6103040047
	ISO PN16	Red	6103040049
6" (168mm) Grv/Grv	N/A	Black	6103060024
		Red	6103060030
6" (168mm) Flg/Grv	ASME Class 150	Black	6103060045
	ASME Class 150	Red	6103060048
	ISO PN16	Red	6103060049
6" (168mm) Flg/Flg	ASME Class 150	Black	6103060046
	ASME Class 150	Red	6103060047
	ISO PN16	Red	6103060050
165mm Grv/Grv	N/A	Red	6103060028
165mm Flg/Grv	ASME Class 150	Red	6103060051
	ISO PN16	Red	6103060052
8" (200mm) Grv/Grv	N/A	Black	6103080001
		Red	6103080003
8" (200mm) Flg/Flg	ASME Class 150	Black	6103080016
	ASME Class 150	Red	6103080018
	ISO PN16	Red	6103080020

- **Trim** — Double Interlock Type D Preaction Trim. Each trim set is available in individual parts, in time-saving, segmentally assembled kit forms, or fully assembled to the Model DDX Deluge Valve with or without a control valve). The Double Interlock Type D trim is available with a 175 psi (12,1 bar) or 300 psi (20,7 bar) rated solenoid valve.

Note: For metric installations, a 1¼" NPT x R1¼. ISO 7/1 x Close Nipple (Reliable P/N 98543403) or a 2" NPT x R2. ISO 7/1 x Close Nipple (Reliable P/N 98543401) is sold separately as an adapter for the single drain outlet of the trims.

Double Interlock Type D Preaction Trim Configurations

		Trim Part Numbers							
Valve Size & End Connection		Trim Configurations							
		Flange Type	Color	Individual Parts (Model DDX Valve Sold Separately)	Segmentally Assembled (Model DDX Valve Sold Separately)	Fully Assembled to Model DDX Valve w/o Control Valve	Fully Assembled to Model DDX Valve w/ Control Valve		
175 psi (12,1 bar) Rated Solenoid Valve	2" (50mm) Grv/Grv	N/A	Black	6503002437	6503002438	6505020026	6505020025		
			Red			6505A20026	6505A20025		
	2½" (65mm) Grv/Grv	N/A	Black			6505022526	6505022525		
			Red			6505A22526	6505A22525		
	3" (80mm) Grv/Grv	N/A	Black			6505030026	6505030025	6505030026	6505030025
			Red					6505A30026	6505A30025
	76mm Grv/Grv	N/A	Red			6505A27626	N/A		
	4" (100mm) Grv/Grv	N/A	Black			6503031420	6503031421	6505040226	6505040225
			Red					6505A40226	6505A40225
	4" (100mm) Flg/Grv	ASME Class 150	Black					6505043226	N/A
		ASME Class 150	Red	6505A43226					
		ISO PN16	Red	6505A44226					
	4" (100mm) Flg/Flg	ASME Class 150	Black	6505047226	N/A				
		ASME Class 150	Red	6505A47226					
		ISO PN16	Red	6505A48226					
	6" (168mm) Grv/Grv	N/A	Black	6505060226	6505060225				
			Red	6505A60226	6505A60225				
	6" (168mm) Flg/Grv	ASME Class 150	Black	6505063226	N/A				
		ASME Class 150	Red	6505A63226					
		ISO PN16	Red	6505A64226					
6" (168mm) Flg/Flg	ASME Class 150	Black	6505067226	N/A					
	ASME Class 150	Red	6505A67226						
	ISO PN16	Red	6505A68226						
165mm Grv/Grv	N/A	Red	6505A65226	N/A					
165mm Flg/Grv	ASME Class 150	Red	6505A66226	N/A					
	ISO PN16	Red	6505A69226						
8" (200mm) Grv/Grv	N/A	Black	6505080226	6505080225					
		Red	6505A80226	6505A80225					
8" (200mm) Flg/Flg	ASME Class 150	Black	6505083226	N/A					
	ASME Class 150	Red	6505A83226						
	ISO PN16	Red	6505A84226						
300 psi (20,7 bar) Rated Solenoid Valve	2" (50mm) Grv/Grv	N/A	Black	6503002445	6503002446	6505020046	6505020045		
			Red			6505A20046	6505A20045		
	2½" (65mm) Grv/Grv	N/A	Black			6505022546	6505022545		
			Red			6505A22546	6505A22545		
	3" (80mm) Grv/Grv	N/A	Black			6505030046	6505030045		
			Red			6505A30046	6505A30045		
	76mm Grv/Grv	N/A	Red			6505A27646	N/A		
	4" (100mm) Grv/Grv	N/A	Black			6505040246	6505040245		
			Red			6505A40246	6505A40245		
	4" (100mm) Flg/Grv	ASME Class 150	Black			6505043246	N/A		
		ASME Class 150	Red	6505A43246					
		ISO PN16	Red	6505A44246					
	4" (100mm) Flg/Flg	ASME Class 150	Black	6505047246	N/A				
		ASME Class 150	Red	6505A47246					
		ISO PN16	Red	6505A48246					
	6" (168mm) Grv/Grv	N/A	Black	6505060246	6505060245				
			Red	6505A60246	6505A60245				
	6" (168mm) Flg/Grv	ASME Class 150	Black	6505063246	N/A				
		ASME Class 150	Red	6505A63246					
		ISO PN16	Red	6505A64246					
6" (168mm) Flg/Flg	ASME Class 150	Black	6505067246	N/A					
	ASME Class 150	Red	6505A67246						
	ISO PN16	Red	6505A68246						
165mm Grv/Grv	N/A	Red	6505A65246	N/A					
165mm Flg/Grv	ASME Class 150	Red	6505A66246	N/A					
	ISO PN16	Red	6505A69246						
8" (200mm) Grv/Grv	N/A	Black	6505080246	6505080245					
		Red	6505A80246	6505A80245					
8" (200mm) Flg/Flg	ASME Class 150	Black	6505083246	N/A					
	ASME Class 150	Red	6505A83246						
	ISO PN16	Red	6505A84246						

Double Interlock Type D Preaction Trim Configurations (Continued)

Trim Part Numbers							
Valve Size & End Connection	Trim Configurations						
	Flange Type	Color	Individual Parts (Model DDX Valve Sold Separately)	Segmentally Assembled (Model DDX Valve Sold Separately)	Fully Assembled to Model DDX Valve w/o Control Valve	Fully Assembled to Model DDX Valve w/ Control Valve	
175 psi (12,1 bar) Rated Solenoid Valve	2" (50mm) Grv/Grv	N/A	6503002441	6503002442	6505020056	6505020055	
					Black	6505A20056	6505A20055
	2½" (65mm) Grv/Grv	N/A			Black	6505022556	6505022555
					Red	6505A22556	6505A22555
	3" (80mm) Grv/Grv	N/A			Black	6505030056	6505030055
					Red	6505A30056	6505A30055
	76mm Grv/Grv	N/A			Red	6505A27656	N/A
	4" (100mm) Grv/Grv	N/A			Black	6505040256	6505040255
					Red	6505A40256	6505A40255
	4" (100mm) Flg/Grv	ASME Class 150			Black	6505043256	N/A
		ASME Class 150			Red	6505A43256	
		ISO PN16			Red	6505A44256	
4" (100mm) Flg/Flg	ASME Class 150	Black	6505047256	N/A			
	ASME Class 150	Red	6505A47256				
	ISO PN16	Red	6505A48256				
6" (168mm) Grv/Grv	N/A	Black	6505060256	6505060255			
		Red	6505A60256	6505A60255			
6" (168mm) Flg/Grv	ASME Class 150	Black	6505063256	N/A			
	ASME Class 150	Red	6505A63256				
	ISO PN16	Red	6505A64256				
6" (168mm) Flg/Flg	ASME Class 150	Black	6505067256	N/A			
	ASME Class 150	Red	6505A67256				
	ISO PN16	Red	6505A68256				
165mm Grv/Grv	N/A	Red	6505A65256	N/A			
165mm Flg/Grv	ASME Class 150	Red	6505A66256	N/A			
	ISO PN16	Red	6505A69256				
8" (200mm) Grv/Grv	N/A	Black	6505080256	6505080255			
		Red	6505A80256	6505A80255			
8" (200mm) Flg/Flg	ASME Class 150	Black	6505087256	N/A			
	ASME Class 150	Red	6505A87256				
	ISO PN16	Red	6505A88256				
300 psi (20,7 bar) Rated Solenoid Valve	2" (50mm) Grv/Grv	N/A	6503002449	6503002450	6505020066	6505020065	
					Black	6505A20066	6505A20065
	2½" (65mm) Grv/Grv	N/A			Black	6505025566	6505025565
					Red	6505A25566	6505A25565
	3" (80mm) Grv/Grv	N/A			Black	6505030066	6505030065
					Red	6505A30066	6505A30065
	76mm Grv/Grv	N/A			Red	6505A27666	N/A
	4" (100mm) Grv/Grv	N/A			Black	6505040261	6505040260
					Red	6505A40261	6505A40260
	4" (100mm) Flg/Grv	ASME Class 150			Black	6505043261	N/A
		ASME Class 150			Red	6505A43261	
		ISO PN16			Red	6505A44261	
4" (100mm) Flg/Flg	ASME Class 150	Black	6505047261	N/A			
	ASME Class 150	Red	6505A47261				
	ISO PN16	Red	6505A48261				
6" (168mm) Grv/Grv	N/A	Black	6505060261	6505060260			
		Red	6505A60261	6505A60260			
6" (168mm) Flg/Grv	ASME Class 150	Black	6505063261	N/A			
	ASME Class 150	Red	6505A63261				
	ISO PN16	Red	6505A64261				
6" (168mm) Flg/Flg	ASME Class 150	Black	6505067261	N/A			
	ASME Class 150	Red	6505A67261				
	ISO PN16	Red	6505A68261				
165mm Grv/Grv	N/A	Red	6505A65261	N/A			
165mm Flg/Grv	ASME Class 150	Red	6505A66261	N/A			
	ISO PN16	Red	6505A69261				
8" (200mm) Grv/Grv	N/A	Black	6505080261	6505080260			
		Red	6505A80261	6505A80260			
8" (200mm) Flg/Flg	ASME Class 150	Black	6505087261	N/A			
	ASME Class 150	Red	6505A87261				
	ISO PN16	Red	6505A88261				

175 psi
(12,1 bar)
Rated
Solenoid
Valve

ULC

300 psi
(20,7 bar)
Rated
Solenoid
Valve

- **Additional equipment** — (Refer to Fig. 10).

Item No.	Component Part	Mfgr.	Description	Technical Bulletin
1	Water Supply Control Valve	Select	OS&Y	-
			Butterfly	-
	Tamper Switch (Optional) for OS&Y Valve	D	Model OS&Y2	System Sensor A05-0196
Tamper Switch (Optional) for Butterfly Valve	Model P1BV2		System Sensor A05-0197	
2	Deluge Valve	B	Model DDX	Reliable 518/519
3	Double Interlock Trim Kit (Type D)	B	Refer to Parts List in this Bulletin	Reliable 750
4	Waterflow Alarm /Low Air Pressure Switch	D	Model EPS10-2 (DPDT, UL, FM)	System Sensor WFDS51701
			Model EPSA10-2 (DPDT, ULC)	
5	Mechanical Alarm (Optional)	B	Model C	Reliable 612 / 613
6	Releasing / Control Panel	C	Model PFC-4410-RC	Potter #5403550
	Batteries		12 VDC, 12 AMP Hours (90 Hours Backup) FM	
			12 VDC, 7 AMP Hours (60 Hours Backup)	
	Optional Accessories		CA2Z (Class A Wiring Module for Initiating Circuits)	
			CAM (Class A Wiring Module for Indicating Circuits)	
			ARM-1 / ARM-2 (Auxiliary Relay Module)	
	RA-4410-RC (Remote Annunciator)			
7	Alarm Annunciator	A	Model SSM24-8 24 VDC / Polarized Bell	-
			Model SSM24-10 24 VDC / Polarized Bell	
			Model MA24-D 24 VDC / Polarized Sounder	
			Model MASS24LO 24 VDC / Polarized Sounder Strobe	
8	Trouble Annunciator	A	Model SSM24-6 24 VDC / Polarized Bell	-
			Model MA24-D 24 VDC / Polarized Sounder	
9	Manual Emergency Station (Elec.)	A	Model BNG-1 (SPDT) 1 & 2 Area Detection	-
			Model BNG-1F (DPDT) Cross Zoned Detection	
10	Detection	Select	Smoke, Heat Detectors, etc.	-
11	Sprinklers	B	Closed Type	Reliable 110, 117, 131, 136, etc.
12	Air Compressor	E	Tank mounted; sized per NFPA 13	Gast F-30
13	Pressure Maintenance Device	B	Model A-2	Reliable 254
14	Nitrogen Regulating Device	B	Regulator with Optional Low Air Pressure Switch	Reliable 254

System Equipment Manufacturers

- (A) Notifier
- (B) Reliable Automatic Sprinkler Co., Inc.
- (C) Potter Electric Signal Company
- (D) System Sensor
- (E) Gast Mfg, Inc.

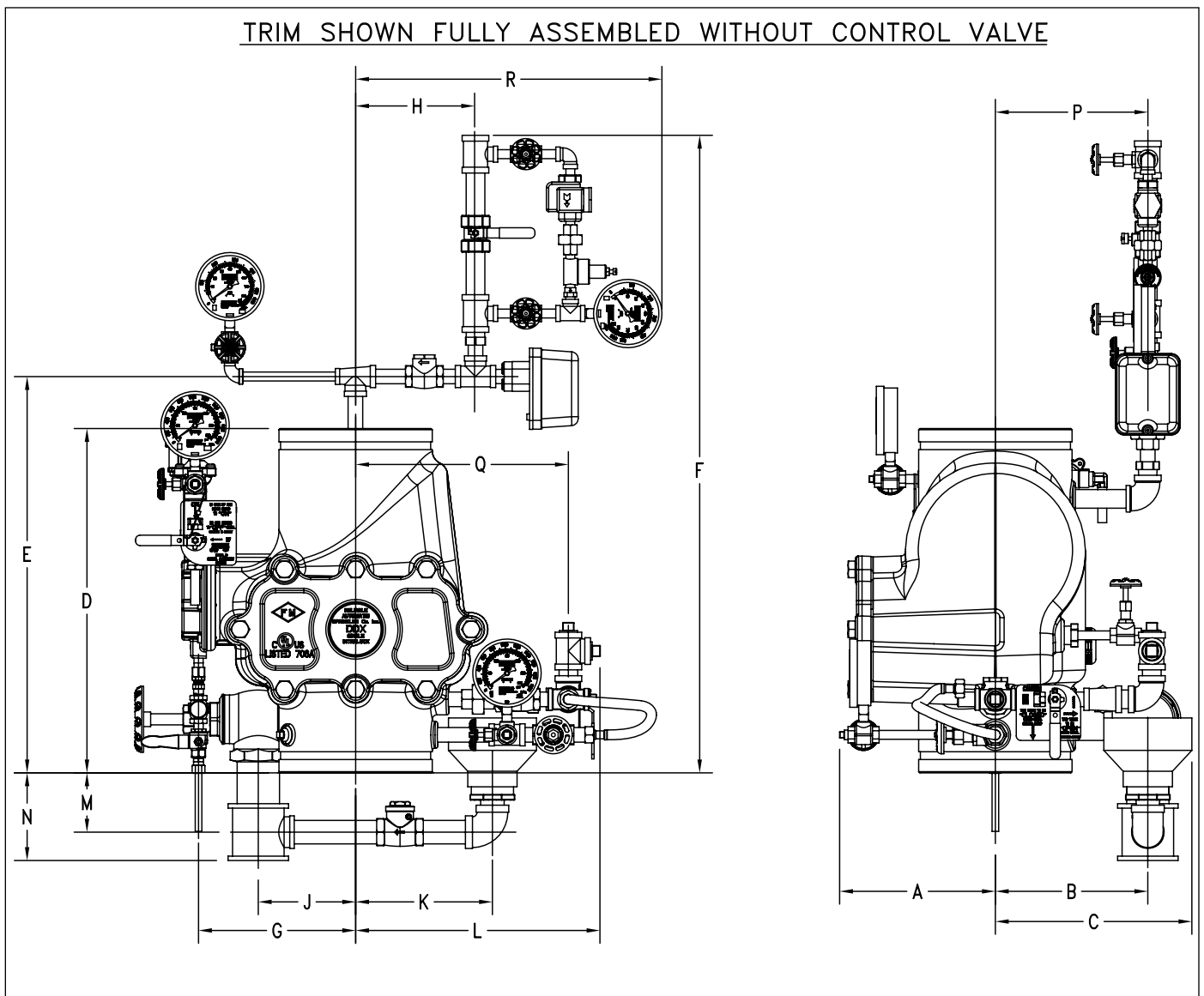
Nominal Pipe Size	Installation Dimensions in Inches (mm)																		
	A	B	C	D*	D**	D***	D****	E	F	G	H	J	K	L	M	N	P	Q	R
2" (50 mm)	8 (203)	7 (178)	9½ (241)	12½ (318)	21¼ (540)	N/A	N/A	19 (283)	33¾ (679)	6 (152)	7 (178)	4¼ (108)	5½ (140)	11 (279)	3 (76)	4½ (114)	9 (229)	9¼ (235)	28 (711)
2½" (65 mm), 3" (80 mm) & 76 mm	8 (203)	7 (178)	9½ (241)	12½ (318)	22 (559)	N/A	N/A	19 (283)	33¾ (679)	6 (152)	7 (178)	4¼ (108)	5½ (140)	11 (279)	3 (76)	4½ (114)	9 (229)	9¼ (235)	28 (711)
4" (100 mm)	7¼ (184)	7½ (191)	10 (254)	14 (356)	24¼ (616)	16 (406)	16 (406)	19¾ (502)	34¼ (629)	7½ (191)	7 (178)	5½ (140)	8¼ (210)	13½ (343)	5 (127)	6¾ (171)	8 (203)	11¾ (298)	28 (711)
6" (150 mm) & 165 mm	7¼ (184)	8½ (215)	11 (280)	16 (406)	27½ (699)	19 (483)	19 (483)	21½ (546)	36¼ (673)	8 (203)	7 (178)	5½ (140)	8¼ (210)	13¾ (349)	4¾ (121)	6½ (165)	8¾ (222)	12 (305)	28 (711)
8" (200 mm)	7¼ (184)	9¼ (235)	11½ (292)	19¾ (492)	30¼ (768)	N/A	21¼ (540)	28¼ (718)	43 (1092)	9 (229)	7 (178)	5½ (140)	8¼ (210)	14½ (368)	3½ (89)	5¼ (133)	8½ (216)	12¾ (324)	28 (711)

D* is total takeout for Fully Assembled to Grv/Grv DDX Valve w/o Control Valve Configurations

D** is total takeout for Fully Assembled to Grv/Grv DDX Valve w/ Control Valve Configurations

D*** is total takeout for Fully Assembled to Flg/Grv DDX Valve w/o Control Valve Configurations

D**** is total takeout for Fully Assembled to Flg/Flg DDX Valve w/o Control Valve Configurations



SOLENOID VALVE INSPECTIONS, TESTS AND MAINTENANCE

WARNING: THE OWNER IS RESPONSIBLE FOR MAINTAINING THE FIRE PROTECTION SYSTEM IN PROPER OPERATING CONDITION. ANY SYSTEM MAINTENANCE OR TESTING THAT INVOLVES PLACING A CONTROL VALVE OR DETECTION SYSTEM OUT OF SERVICE MAY ELIMINATE THE FIRE PROTECTION OF THAT SYSTEM. PRIOR TO PROCEEDING, NOTIFY ALL AUTHORITIES HAVING JURISDICTION. CONSIDERATION SHOULD BE GIVEN TO EMPLOYMENT OF A FIRE PATROL IN THE AFFECTED AREA.

WARNING: PRIOR TO OPERATING THE SOLENOID VALVE, BE SURE TO CLOSE THE SYSTEM CONTROL VALVE TO AVOID UNINTENTIONAL OPERATION OF THE DELUGE VALVE

1. Inspections: It is imperative that the system be inspected and tested in accordance with NFPA 25 on a regular basis. The frequency of the inspections may vary due to contaminated water supplies, corrosive water supplies, or corrosive atmospheres. In addition, the alarm devices, detection systems, or other connected trim may require a more frequent schedule. Refer to the system description and applicable codes for minimum requirements.
2. The valve must be inspected at least monthly for cracks, corrosion, leakage, etc., cleaned and replaced as necessary.
3. If leakage is suspected through the solenoid valve, it should be replaced.

The equipment presented in this bulletin is to be installed in accordance with the latest published Standards of the National Fire Protection Association, Factory Mutual Research Corporation, or other similar organizations and also with the provisions of governmental codes or ordinances whenever applicable.

Products manufactured and distributed by Reliable have been protecting life and property for over 90 years, and are installed and serviced by the most highly qualified and reputable sprinkler contractors located throughout the United States, Canada and foreign countries.

Manufactured by

Reliable[®]

Reliable Automatic Sprinkler Co., Inc.

(800) 431-1588

(800) 848-6051

(914) 829-2042

www.reliablesprinkler.com

Sales Offices

Sales Fax

Corporate Offices

Internet Address



Recycled
Paper

Revision lines indicate updated or new data.

EG. Printed in U.S.A. 06/15 P/N 9999970441